



Accessory for position switch Connector plug (4-pole), M12, for M20 x 1.5 for 250 V, 4 A

product brand name	SIRIUS
product category	Miscellaneous accessories
product designation	Device plug
product type designation	3SY3
<b>General technical data</b>	
degree of pollution	3
overvoltage category	2
surge voltage resistance rated value	800 V
protection class IP	IP67
Substance Prohibition (Date)	07/01/2006
SVHC substance name	Lead - 7439-92-1
Weight	0.01 kg
number of poles	4
operating voltage rated value maximum	250 V
operational current at 40 °C rated value	4 A
material of the contact	CuZn
material of contact coating	Au
<b>Ambient conditions</b>	
ambient temperature during operation	-40 ... +85 °C
<b>Connections/ Terminals</b>	
type of electrical connection	connector M12
type of connectable conductor cross-sections	4x 0.25 mm <sup>2</sup> / AWG24
<b>Approvals Certificates</b>	
General Product Approval	



### Further information

Information on the packaging

<https://support.industry.siemens.com/cs/ww/en/view/109813875>

Information for data generation and storage

<https://support.industry.siemens.com/cs/ww/en/view/109995012>

Information- and Downloadcenter (Catalogs, Brochures,...)

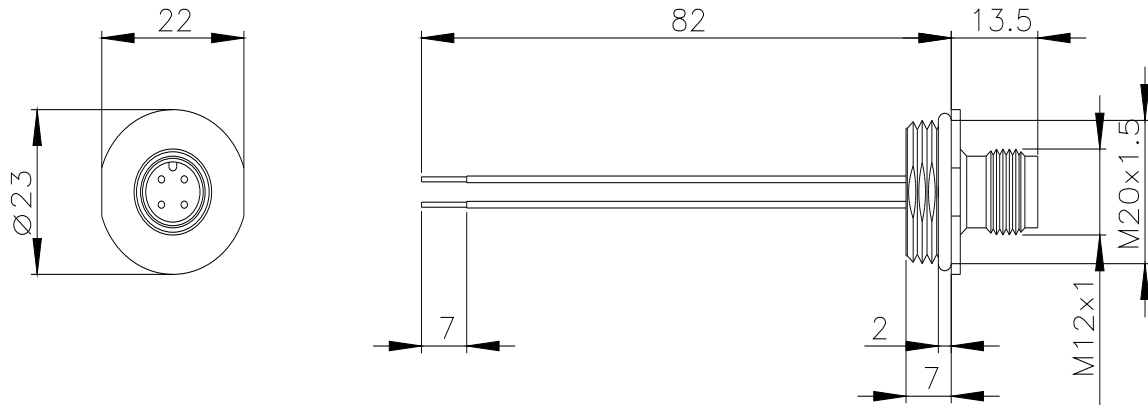
<https://www.siemens.com/ic10>

Industry Mall (Online ordering system)

<https://mall.industry.siemens.com/mall/en/en/Catalog/product?mlfb=3SY3127>

Cax online generator

<https://support.automation.siemens.com/WW/CAXorder/default.aspx?lang=en&mlfb=3SY3127>



last modified:

10/22/2025 