



power relay, AC-3, 8.4 A, 4 kW / 400 V, 3-pole, 24 V DC, auxiliary contacts: 1 NC, screw terminal


Figure similar

<b>consumed active power</b>	4 W
<b>reference code according to IEC 81346-2</b>	K
<b>Substance Prohibitance (Date)</b>	07/01/2006
<b>Weight</b>	0.16 kg
ambient temperature during operation	-25 ... +55 °C
<b>number of poles</b>	4
<b>number of NO contacts for main contacts</b>	3
<b>number of NC contacts for main contacts</b>	0
<b>type of voltage</b>	DC
<b>operational current</b>	
• at AC-1 at 400 V rated value	20 A
• at AC-3 at 400 V rated value	8.4 A
• at AC-3e at 400 V rated value	6.4 A
<b>operating power</b>	
• at AC-3 at 400 V rated value	4 kW
• at AC-3e at 400 V rated value	3 kW
<b>control supply voltage at DC rated value</b>	24 V
<b>number of NC contacts for auxiliary contacts</b>	1
<b>number of NO contacts for auxiliary contacts</b>	0
number of CO contacts for auxiliary contacts	0
fastening method side-by-side mounting	Yes
<b>fastening method</b>	screw and snap-on mounting onto 35 mm DIN rail
<b>height</b>	62 mm
<b>width</b>	36 mm
<b>depth</b>	60 mm
<b>type of electrical connection</b>	
• for main current circuit	screw-type terminals
• for auxiliary and control circuit	screw-type terminals
<b>Safety related data</b>	
product function suitable for safety function	Yes
<b>service life maximum</b>	20 a
<b>proportion of dangerous failures</b>	
• with low demand rate according to SN 31920	40 %
• with high demand rate according to SN 31920	73 %
<b>B10 value with high demand rate according to SN 31920</b>	400 000
<b>failure rate [FIT] with low demand rate according to SN 31920</b>	100 1/s
ISO 13849	

device type according to ISO 13849-1	3
overdimensioning according to ISO 13849-2 necessary	Yes
IEC 61508	
safety device type according to IEC 61508-2	Type A
Electrical Safety	
protection class IP on the front according to IEC 60529	IP00

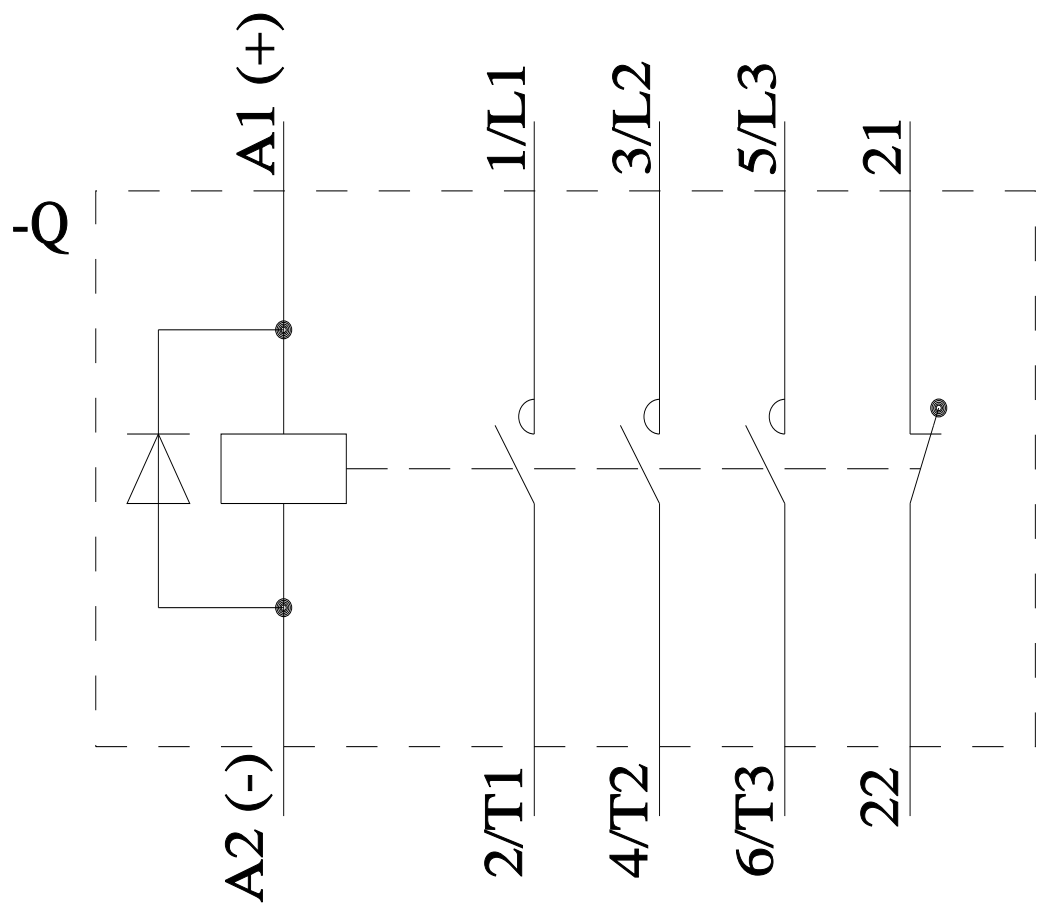
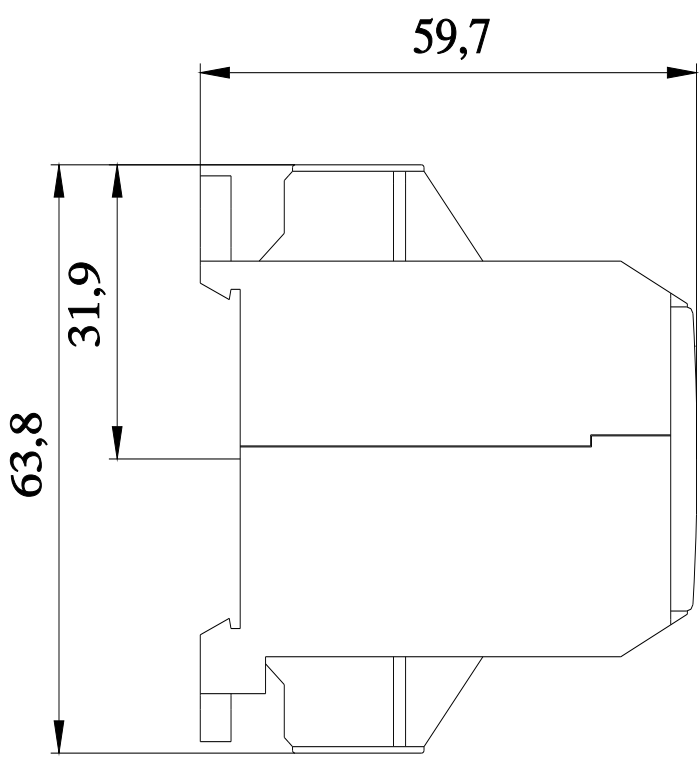
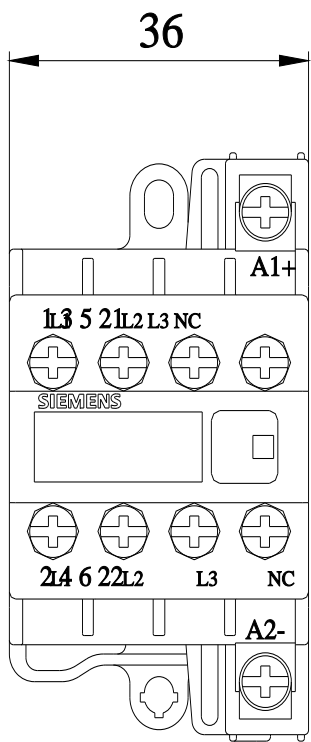
#### Approvals Certificates

General Product Approval	Test Certificates
    	<a href="#">Special Test Certificate</a>

Test Certificates	other	Environment
<a href="#">Type Test Certificates/Test Report</a>	<a href="#">Confirmation</a>	<a href="#">Environmental Confirmations</a>
	<a href="#">Miscellaneous</a>	

#### Further information

- Information on the packaging  
<https://support.industry.siemens.com/cs/ww/en/view/109813875>
- Information for data generation and storage  
<https://support.industry.siemens.com/cs/ww/en/view/109995012>
- Information- and Downloadcenter (Catalogs, Brochures,...)  
<https://www.siemens.com/ic10>
- Industry Mall (Online ordering system)  
<https://mall.industry.siemens.com/mall/en/en/Catalog/product?mlfb=3TG1001-0BB4>
- Cax online generator  
<https://support.automation.siemens.com/WW/CAXorder/default.aspx?lang=en&mlfb=3TG1001-0BB4>
- Service&Support (Manuals, Certificates, Characteristics, FAQs,...)  
<https://support.industry.siemens.com/cs/ww/en/ps/3TG1001-0BB4>
- Image database (product images, 2D dimension drawings, 3D models, device circuit diagrams, EPLAN macros, ...)  
[https://www.automation.siemens.com/bilddb/cax\\_de.aspx?mlfb=3TG1001-0BB4&lang=en](https://www.automation.siemens.com/bilddb/cax_de.aspx?mlfb=3TG1001-0BB4&lang=en)
- Characteristic: Tripping characteristics, I<sup>2</sup>t, Let-through current  
<https://support.industry.siemens.com/cs/ww/en/ps/3TG1001-0BB4/char>
- Further characteristics (e.g. electrical endurance, switching frequency)  
<https://www.automation.siemens.com/bilddb/index.aspx?view=Search&mlfb=3TG1001-0BB4&objecttype=14&gridview=view1>



last modified:

7/22/2025

