



Auxiliary conductor terminal for 3RT1 with box terminal

product brand name	SIRIUS
product category	Plugs, adapters and terminals
product designation	Auxiliary conductor terminal
design of the product	Can be used for 3RW443
product type designation	3TX7

General technical data

Substance Prohibitation (Date)	07/01/2006
Weight	0.008 kg

Approvals Certificates

General Product Approval	Test Certificates
--------------------------	-------------------



[Type Test Certificates/Test Report](#)

Test Certificates	other	Environment
-------------------	-------	-------------

[Special Test Certificate](#)



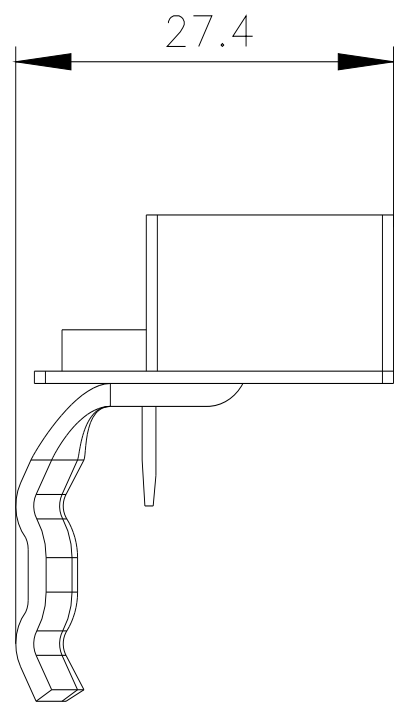
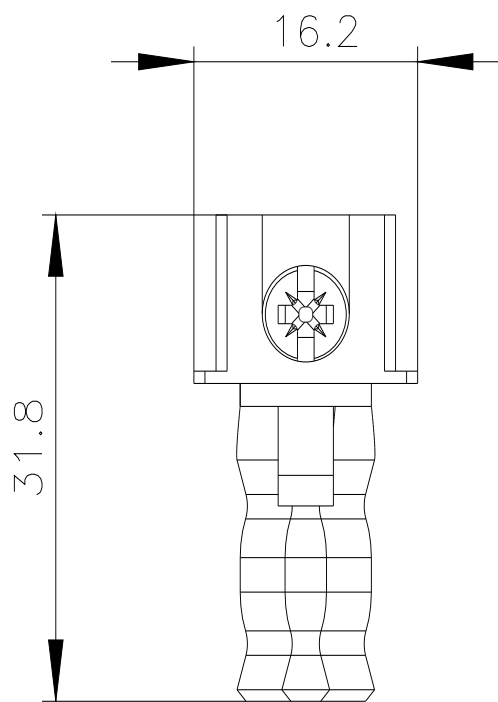
[Confirmation](#)



[Environmental Confirmations](#)

Further information

- Information on the packaging
<https://support.industry.siemens.com/cs/ww/en/view/109813875>
- Information for data generation and storage
<https://support.industry.siemens.com/cs/ww/en/view/109995012>
- Information- and Downloadcenter (Catalogs, Brochures,...)
<https://www.siemens.com/ic10>
- Industry Mall (Online ordering system)
<https://mall.industry.siemens.com/mall/en/en/Catalog/product?mlfb=3TX7500-0A>
- Cax online generator
<https://support.automation.siemens.com/WW/CAXorder/default.aspx?lang=en&mlfb=3TX7500-0A>
- Service&Support (Manuals, Certificates, Characteristics, FAQs,...)
<https://support.industry.siemens.com/cs/ww/en/ps/3TX7500-0A>
- Image database (product images, 2D dimension drawings, 3D models, device circuit diagrams, EPLAN macros, ...)
https://www.automation.siemens.com/bilddb/cax_de.aspx?mlfb=3TX7500-0A&lang=en



last modified:

4/2/2025 