

Adapter for standard mounting rail mounting of the residual-current transformer 3UL23 up to 55 mm inside diameter



General technical data	
product brand name	SIRIUS
product designation	Adapters
reference code according to IEC 81346-2	B
Ambient conditions	
ambient temperature	
• during transport	-25 ... +60 °C
• during operation	-25 ... +60 °C
• during storage	-40 ... +85 °C
relative humidity during operation	95 %
installation altitude at height above sea level	2 000 m
Installation/ mounting/ dimensions	
width	10 mm
height	56.5 mm
depth	18.3 mm
mounting position	standing, on horizontal mounting surface
fastening method	snap-on mounting
Certificates/ approvals	
General Product Approval	other
Environment	



[Confirmation](#)

[Environmental Confirmations](#)

### Further information

#### Information on the packaging

<https://support.industry.siemens.com/cs/ww/en/view/109813875>

#### Information for data generation and storage

<https://support.industry.siemens.com/cs/ww/en/view/109995012>

#### Information- and Downloadcenter (Catalogs, Brochures,...)

<https://www.siemens.com/ic10>

#### Industry Mall (Online ordering system)

<https://mall.industry.siemens.com/mall/en/en/Catalog/product?mlfb=3UL2900>

#### Cax online generator

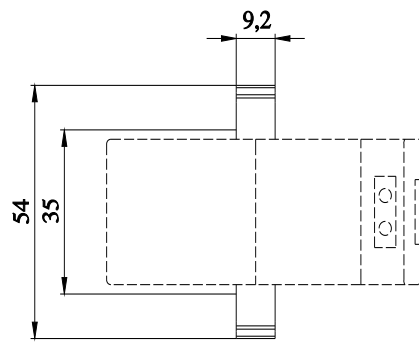
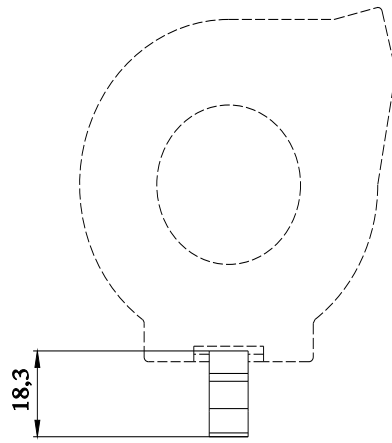
<https://support.automation.siemens.com/WW/CAXorder/default.aspx?lang=en&mlfb=3UL2900>

#### Service&Support (Manuals, Certificates, Characteristics, FAQs,...)

<https://support.industry.siemens.com/cs/ww/en/ps/3UL2900>

#### Image database (product images, 2D dimension drawings, 3D models, device circuit diagrams, EPLAN macros, ...)

[https://www.automation.siemens.com/bilddb/cax\\_de.aspx?mlfb=3UL2900&lang=en](https://www.automation.siemens.com/bilddb/cax_de.aspx?mlfb=3UL2900&lang=en)



---

last modified:

10/22/2025 