



circuit breaker 3VA5 UL Frame 400 breaking capacity class C 100 kA @ 480 V 2-pole, line protection TM230, FTAM,  $I_n=250$  A overload protection  $I_r=250$  A permanently set short-circuit protection  $I_i=5...10 \times I_n$  without connection

| Model  |                             |
|--|-----------------------------|
| product brand name   | SENTRON                     |
| product designation  | Molded-case circuit breaker |
| product designation / according to UL file   | CJAS                        |
| design of the product  | System protection           |
| design of the load switch / according to UL 489 / Heating, Air Conditioning, and Refrigeration circuit breaker (HACR Type) | Yes                         |
| design of the load switch / according to UL 489 / High-Intensity-Discharge circuit breaker (HID Type)                      | No                          |
| design of the load switch / according to UL 489 / Switching Duty circuit breaker (SWD Type)                                | No                          |
| design of the overcurrent release  | TM230                       |
| protection function of the overcurrent release   | LI                          |
| number of poles  | 2                           |
| General technical data   |                             |
| insulation voltage / rated value   | 800 V                       |
| operating voltage / at DC / rated value  | 250 V                       |
| operating voltage / at AC / rated value  | 690 V                       |
| power loss [W] / maximum   | 39 W                        |
| power loss [W] / for rated value of the current / at AC / in hot operating state / per pole                                | 19.55 W                     |
| mechanical service life (operating cycles) / typical   | 20 000                      |
| electrical endurance (operating cycles) / at AC-1 / at 380/415 V   | 6 000                       |
| electrical endurance (operating cycles) / at AC-1 / at 690 V   | 3 000                       |
| electrical endurance (operating cycles) / at 480 V   | 6 000                       |
| electrical endurance (operating cycles) / at 600 V   | 3 000                       |
| product feature / for neutral conductors / upgradable/retrofitable / short-circuit and overload proof                      | No                          |
| product function   |                             |
| • communication function   | No                          |
| • other measurement function   | No                          |
| Net Weight   | 4.95 kg                     |
| Current  |                             |
| marking / according to UL 489 / 100%-rated breaker   | No                          |
| operational current  |                             |
| • at 40 °C   | 250 A                       |
| • at 45 °C   | 245 A                       |
| • at 50 °C   | 239 A                       |
| • at 55 °C   | 234 A                       |
| • at 60 °C   | 228 A                       |

|   |  |
|---|--|
| <ul style="list-style-type: none"> <li>• at 65 °C</li> <li>• at 70 °C</li> </ul>  | 223 A<br>218 A   |
| <b>Switching capacity according to IEC 60947</b>  |  |
| switching capacity class of the circuit breaker   | C  |
| maximum short-circuit current breaking capacity (I <sub>cu</sub> ) <ul style="list-style-type: none"> <li>• at 240 V</li> <li>• at 415 V</li> <li>• at 690 V</li> </ul>                           | 200 kA<br>110 kA<br>10 kA  |
| operating short-circuit current breaking capacity (I <sub>cs</sub> ) <ul style="list-style-type: none"> <li>• at 240 V</li> <li>• at 415 V</li> <li>• at 690 V</li> </ul>                         | 200 kA<br>110 kA<br>6 kA   |
| short-circuit current making capacity (I <sub>cm</sub> ) <ul style="list-style-type: none"> <li>• at 240 V</li> <li>• at 415 V</li> <li>• at 690 V</li> </ul>                                     | 440 kA<br>242 kA<br>17 kA  |
| design of short-circuit protection  | For switching power values in DC networks, see the 3VA molded case circuit breaker device manual; link to be found under Service & Support in the last chapter |
| <b>Switching capacity according to UL 489</b>   |  |
| current breaking capacity <ul style="list-style-type: none"> <li>• at 240 V</li> <li>• at 480 V</li> <li>• at 600 V</li> </ul>  | 200 kA<br>100 kA<br>35 kA  |
| <b>Adjustable parameters</b>  |  |
| adjustable response value setting current (I <sub>r</sub> ) / of the L-trip / with I <sup>2</sup> t characteristic <ul style="list-style-type: none"> <li>• minimum</li> <li>• maximum</li> </ul> | 250 A<br>250 A   |
| adjustable response value delay time (t <sub>r</sub> ) / for L-tripping / with I <sup>2</sup> t characteristic <ul style="list-style-type: none"> <li>• minimum</li> <li>• maximum</li> </ul>     | 1 s<br>1 s   |
| adjustable response value setting current (I <sub>i</sub> ) / for I-tripping <ul style="list-style-type: none"> <li>• minimum</li> <li>• maximum</li> </ul>                                       | 1 250 A<br>2 500 A   |
| adjustable setting current (I <sub>nN</sub> ) / for N-tripping <ul style="list-style-type: none"> <li>• minimum</li> <li>• maximum</li> </ul>   | 0 A<br>0 A   |
| product function / grounding protection   | No   |
| <b>Mechanical Design</b>  |  |
| product component <ul style="list-style-type: none"> <li>• undervoltage release</li> <li>• voltage trigger</li> <li>• trip indicator</li> </ul>   | No<br>No<br>No   |
| height [in]   | 9.76 in  |
| height  | 248 mm   |
| width [in]  | 5.43 in  |
| width   | 138 mm   |
| depth [in]  | 4.33 in  |
| depth   | 110 mm   |
| <b>Connections</b>  |  |
| arrangement of electrical connectors / for main current circuit   | Without connection   |
| type of electrical connection / for main current circuit  | Without  |
| <b>Auxiliary circuit</b>  |  |
| number of CO contacts / for auxiliary contacts  | 0  |
| <b>Accessories</b>  |  |
| product extension / optional / motor drive  | Yes  |
| <b>Environmental conditions</b>   |  |
| protection class IP / on the front  | IP40   |

|   |        |
|---|--------|
| ambient temperature                       |        |
| • during operation / minimum              | -25 °C |
| • during operation / maximum              | 70 °C  |
| • during storage / minimum                | -40 °C |
| • during storage / maximum                | 80 °C  |
| reference code / according to IEC 81346-2 | Q      |

#### Approvals / Certificates

##### General Product Approval



##### General Product Approval

##### EMV

##### Test Certificates

##### Maritime application

[Miscellaneous](#)



[Type Test Certificates/Test Report](#)



##### Maritime application

##### other

##### Environment



[Confirmation](#)

[Miscellaneous](#)

[Environmental Confirmations](#)

#### Further information

##### Information on the packaging

<https://support.industry.siemens.com/cs/ww/en/view/109813875>

##### Information for data generation and storage

<https://support.industry.siemens.com/cs/ww/en/view/109995012>

##### Information- and Downloadcenter (Catalogs, Brochures,...)

<https://www.siemens.com/lowvoltage/catalogs>

##### Industry Mall (Online ordering system)

<https://mall.industry.siemens.com/mall/en/en/Catalog/product?mifb=3VA5325-7EC61-0AA0>

##### Service&Support (Manuals, Certificates, Characteristics, FAQs,...)

<https://support.industry.siemens.com/cs/ww/en/ps/3VA5325-7EC61-0AA0>

##### Image database (product images, 2D dimension drawings, 3D models, device circuit diagrams, ...)

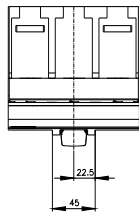
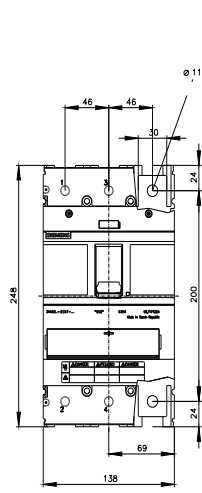
[https://www.automation.siemens.com/bilddb/cax\\_en.aspx?mifb=3VA5325-7EC61-0AA0](https://www.automation.siemens.com/bilddb/cax_en.aspx?mifb=3VA5325-7EC61-0AA0)

##### CAX-Online-Generator

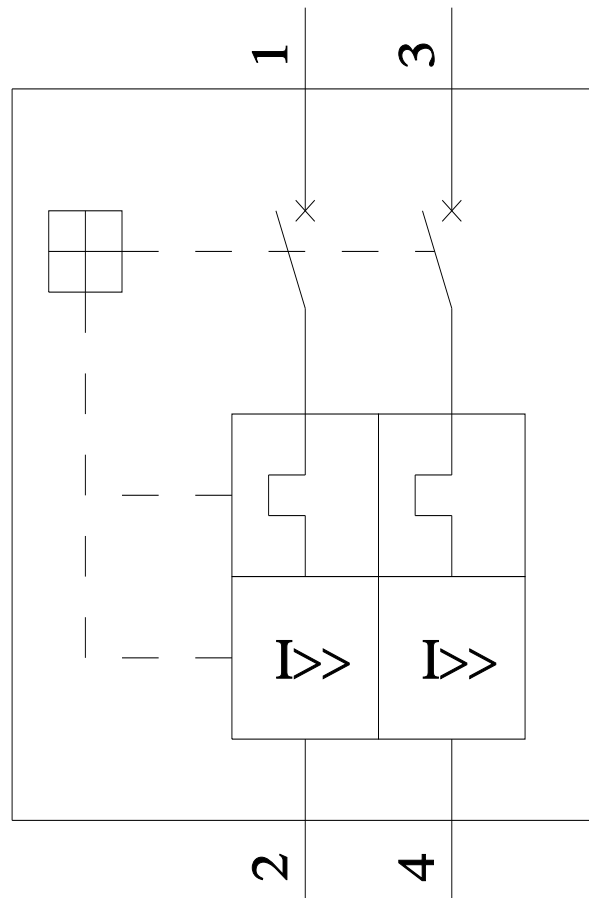
<https://www.siemens.com/cax>

##### Tender specifications

<https://www.siemens.com/specifications>



Q



**CB**



last modified:

8/11/2025 

