



Figure similar

molded case switch 3VA5 UL frame 600 max short-circuit curr. rating 100kA @ 480 V 4-pole MCS110, In=600A without overload protection self protection li=10 x In w/o connection

Model	
product brand name	SENTRON
product designation	Molded-case circuit breaker
product designation / according to UL file	CLAS
design of the product	Molded case switch
design of the load switch / according to UL 489 / Heating, Air Conditioning, and Refrigeration circuit breaker (HACR Type)	Yes
design of the load switch / according to UL 489 / High-Intensity-Discharge circuit breaker (HID Type)	No
design of the load switch / according to UL 489 / Switching Duty circuit breaker (SWD Type)	No
design of the overcurrent release	MCS110
protection function of the overcurrent release	I
number of poles	4
General technical data	
insulation voltage / rated value	800 V
operating voltage / at DC / rated value	500 V
operating voltage / at AC / rated value	690 V
power loss [W] / maximum	120 W
power loss [W] / for rated value of the current / at AC / in hot operating state / per pole	40 W
mechanical service life (operating cycles) / typical	20 000
electrical endurance (operating cycles) / at AC-1 / at 380/415 V	4 000
electrical endurance (operating cycles) / at AC-1 / at 690 V	2 700
electrical endurance (operating cycles) / at 480 V	4 000
electrical endurance (operating cycles) / at 600 V	2 700
product feature / for neutral conductors / upgradable/retrofitable / short-circuit and overload proof	No
product function	
• communication function	No
• other measurement function	No
Net Weight	5.2 kg
Current	
marking / according to UL 489 / 100%-rated breaker	No
operational current	
• at 40 °C	600 A
• at 45 °C	587 A
• at 50 °C	574 A
• at 55 °C	560 A

- at 60 °C 547 A
- at 65 °C 534 A
- at 70 °C 521 A

Switching capacity according to IEC 60947

design of short-circuit protection For switching power values in DC networks, see the 3VA molded case circuit breaker device manual; link to be found under Service & Support in the last chapter

Adjustable parameters

product function / grounding protection No

Mechanical Design

product component

- undervoltage release No
- voltage trigger No
- trip indicator No

height [in] 9.76 in
 height 248 mm
 width [in] 7.24 in
 width 184 mm
 depth [in] 4.33 in
 depth 110 mm

Connections

arrangement of electrical connectors / for main current circuit Without connection
 type of electrical connection / for main current circuit Without

Auxiliary circuit

number of CO contacts / for auxiliary contacts 0

Accessories

product extension / optional / motor drive Yes

Environmental conditions

protection class IP / on the front IP40
 ambient temperature

- during operation / minimum -25 °C
- during operation / maximum 70 °C
- during storage / minimum -40 °C
- during storage / maximum 80 °C

reference code / according to IEC 81346-2 Q

Approvals / Certificates

General Product Approval



[Miscellaneous](#)



General Product Approval	EMV	Test Certificates	other	Environment
--------------------------	-----	-------------------	-------	-------------



[Type Test Certificates/Test Report](#)

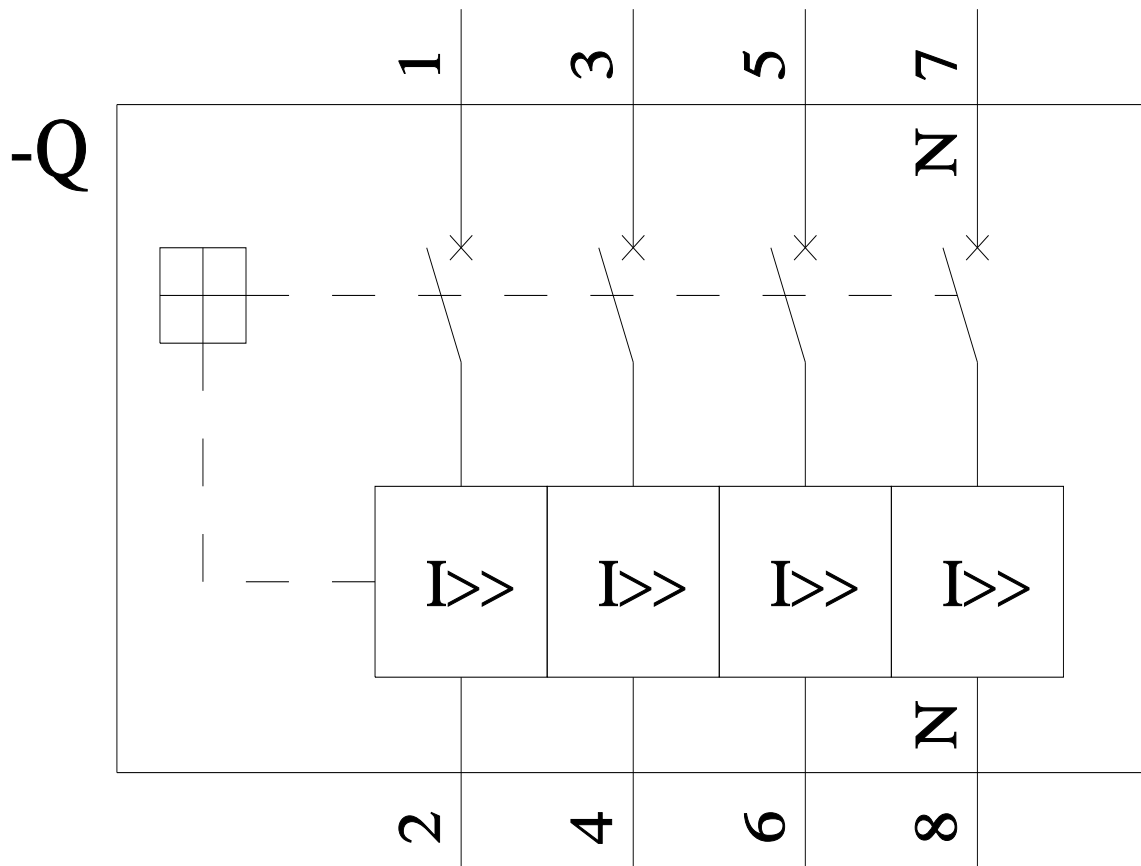
[Confirmation](#)

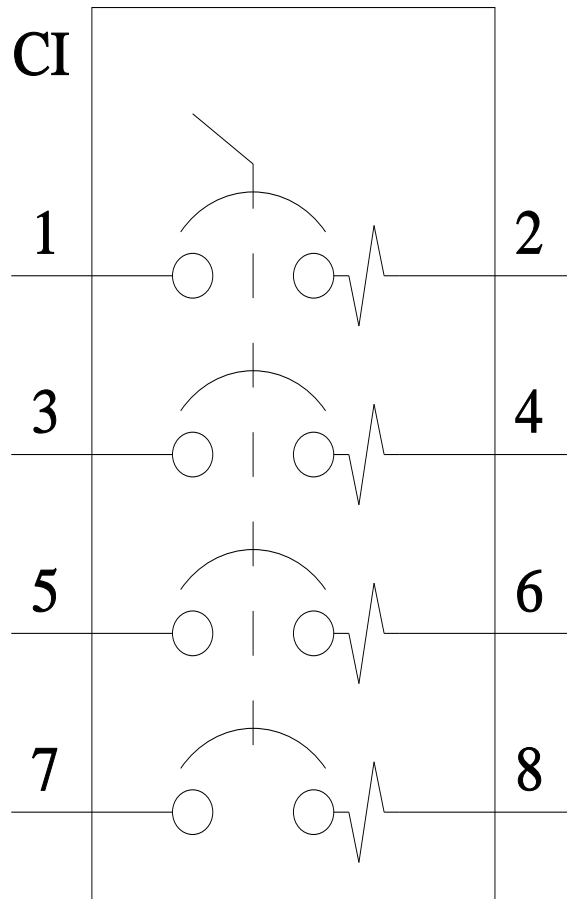
[Miscellaneous](#)

[Environmental Confirmations](#)

Further information

Information on the packaging
<https://support.industry.siemens.com/cs/ww/en/view/109813875>
 Information for data generation and storage
<https://support.industry.siemens.com/cs/ww/en/view/109995012>
 Information- and Downloadcenter (Catalogs, Brochures,...)
<https://www.siemens.com/lowvoltage/catalogs>
 Industry Mall (Online ordering system)
<https://mall.industry.siemens.com/mall/en/en/Catalog/product?mlfb=3VA5460-1BB41-0AA0>
 Service&Support (Manuals, Certificates, Characteristics, FAQs,...)
<https://support.industry.siemens.com/cs/ww/en/ps/3VA5460-1BB41-0AA0>





last modified:

8/11/2025 