

Siemens
EcoTech



circuit breaker 3VA6 UL Frame 400 breaking capacity class C 100 kA @ 480 V 4-pole, line protection ETU820, LI, In=250 A overload protection Ir=100 A...250 A short-circuit protection Ii=1.5...12 x In without connection



| Model | |
|--|-----------------------------|
| product brand name | SENTRON |
| product designation | Molded-case circuit breaker |
| product designation / according to UL file | CJAE |
| design of the product | System protection |
| design of the load switch / according to UL 489 / Heating, Air Conditioning, and Refrigeration circuit breaker (HACR Type) | Yes |
| design of the overcurrent release | ETU820 |
| protection function of the overcurrent release | LI |
| number of poles | 4 |
| General technical data | |
| insulation voltage / rated value | 800 V |
| operating voltage / at AC / rated value | 690 V |
| power loss [W] / maximum | 27 W |
| power loss [W] / for rated value of the current / at AC / in hot operating state / per pole | 9 W |
| mechanical service life (operating cycles) / typical | 20 000 |
| electrical endurance (operating cycles) / at AC-1 / at 380/415 V | 6 000 |
| electrical endurance (operating cycles) / at AC-1 / at 690 V | 4 200 |
| electrical endurance (operating cycles) / at 480 V | 6 000 |
| electrical endurance (operating cycles) / at 600 V | 4 200 |
| product feature / for neutral conductors / upgradable/retrofitable / short-circuit and overload proof | No |
| ground-fault monitoring version | without |
| product function | |
| • communication function | Yes |
| • other measurement function | Yes |
| Net Weight | 6.9 kg |
| Current | |
| marking / according to UL 489 / 100%-rated breaker | No |
| operational current | |
| • at 40 °C | 250 A |
| • at 45 °C | 250 A |
| • at 50 °C | 250 A |
| • at 55 °C | 250 A |
| • at 60 °C | 250 A |
| • at 65 °C | 250 A |

| | |
|---|-----------------------------|
| • at 70 °C | 250 A |
| Switching capacity according to IEC 60947 | |
| switching capacity class of the circuit breaker | C |
| maximum short-circuit current breaking capacity (I _{cu}) | |
| • at 240 V | 150 kA |
| • at 415 V | 110 kA |
| • at 690 V | 5 kA |
| operating short-circuit current breaking capacity (I _{cs}) | |
| • at 240 V | 150 kA |
| • at 415 V | 110 kA |
| • at 690 V | 5 kA |
| short-circuit current making capacity (I _{cm}) | |
| • at 240 V | 330 kA |
| • at 415 V | 242 kA |
| • at 690 V | 7.5 kA |
| Switching capacity according to UL 489 | |
| current breaking capacity | |
| • at 240 V | 200 kA |
| • at 480 V | 100 kA |
| • at 600 V | 35 kA |
| Adjustable parameters | |
| adjustable response value setting current (I _r) / of the L-trip / with I _{2t} characteristic | |
| • minimum | 100 A |
| • maximum | 250 A |
| adjustable response value delay time (t _r) / for L-tripping / with I _{2t} characteristic | |
| • minimum | 0.5 s |
| • maximum | 25 s |
| adjustable response value setting current (I _i) / for I-tripping | |
| • minimum | 375 A |
| • maximum | 3 000 A |
| adjustable setting current (I _{nN}) / for N-tripping | |
| • minimum | 50 A |
| • maximum | 400 A |
| design of the N-conductor protection | adjustable OFF; 20% to 160% |
| product function / grounding protection | No |
| Mechanical Design | |
| product component | |
| • undervoltage release | No |
| • voltage trigger | No |
| • trip indicator | No |
| height [in] | 9.76 in |
| height | 248 mm |
| width [in] | 7.24 in |
| width | 184 mm |
| depth [in] | 4.33 in |
| depth | 110 mm |
| Connections | |
| arrangement of electrical connectors / for main current circuit | Without connection |
| type of electrical connection / for main current circuit | Without |
| Auxiliary circuit | |
| number of CO contacts / for auxiliary contacts | 0 |
| Accessories | |
| product extension / optional / motor drive | Yes |
| Environmental conditions | |
| protection class IP / on the front | IP40 |
| ambient temperature | |
| • during operation / minimum | -25 °C |

- during operation / maximum 70 °C
- during storage / minimum -40 °C
- during storage / maximum 80 °C

Environmental footprint

| | |
|--|-----------------|
| Environmental Product Declaration(EPD) | Yes |
| global warming potential [CO2 eq] / total | 495 kg |
| global warming potential [CO2 eq] / during manufacturing | 28.7 kg |
| global warming potential [CO2 eq] / during operation | 470 kg |
| global warming potential [CO2 eq] / after end of life | -4.07 kg |
| Siemens Eco Profile (SEP) | Siemens EcoTech |
| reference code / according to IEC 81346-2 | Q |

Approvals / Certificates

General Product Approval



[Confirmation](#)



EG-Konf.



UL



UL

General Product Approval

EMV

Test Certificates



[Miscellaneous](#)



RCM

[Type Test Certificates/Test Report](#)

Maritime application

other



ABS



BUREAU
VERITAS



DNV



LRS



RMRS

[Confirmation](#)

other

Dangerous goods

Environment

[Miscellaneous](#)

[Transport Information](#)



Siemens
EcoTech



[Environmental Confirmations](#)

Further information

Information on the packaging

<https://support.industry.siemens.com/cs/ww/en/view/109813875>

Information for data generation and storage

<https://support.industry.siemens.com/cs/ww/en/view/109995012>

Information- and Downloadcenter (Catalogs, Brochures,...)

<https://www.siemens.com/lowvoltage/catalogs>

Industry Mall (Online ordering system)

<https://mall.industry.siemens.com/mall/en/en/Catalog/product?mlfb=3VA6325-7KL41-0AA0>

Service&Support (Manuals, Certificates, Characteristics, FAQs,...)

<https://support.industry.siemens.com/cs/ww/en/ps/3VA6325-7KL41-0AA0>

Image database (product images, 2D dimension drawings, 3D models, device circuit diagrams, ...)

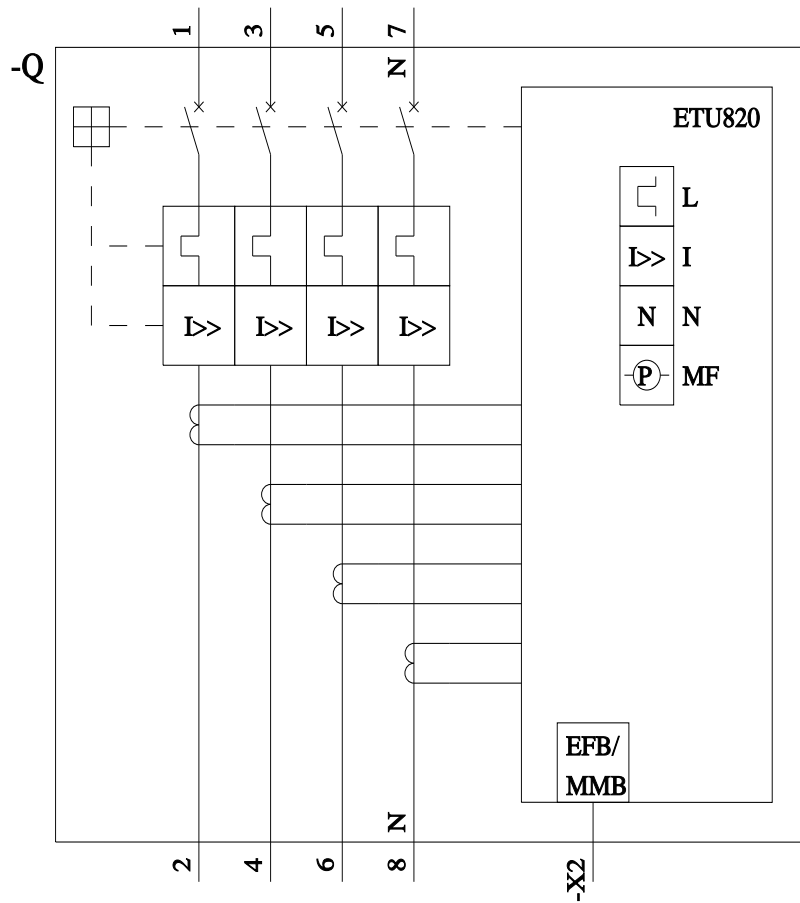
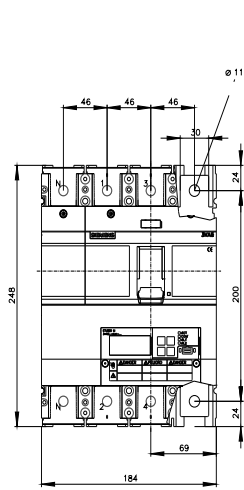
https://www.automation.siemens.com/bilddb/cax_en.aspx?mlfb=3VA6325-7KL41-0AA0

CAX-Online-Generator

<https://www.siemens.com/cax>

Tender specifications

<https://www.siemens.com/specifications>





last modified:

5/2/2025

