



handle connection for handle accessory for: 3VA41 two 1-pole 3VA breakers

Model	
product brand name	SENTRON
product designation	handle connection
accessories	handle connection
General technical data	
Net Weight	33 g
Certificates	
General Product Approval	





[Confirmation](#)



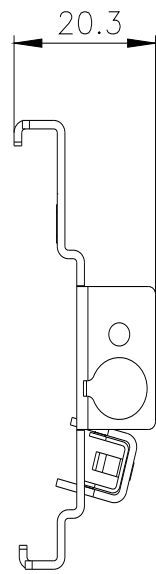
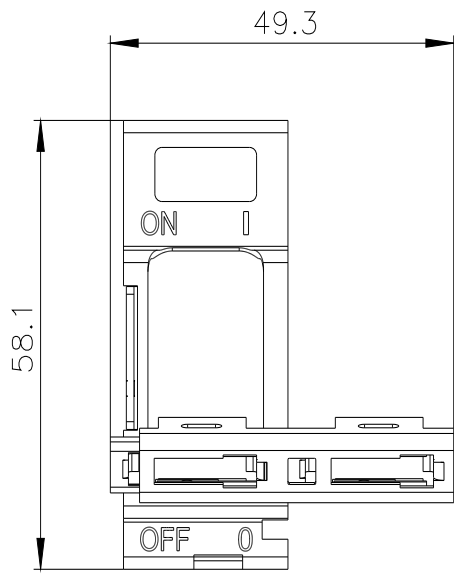
[Miscellaneous](#)



EMV	Maritime application	other	Environment		
 RCM	 LRS	Confirmation	Miscellaneous	Environmental Con- firmations	Environmental Con- firmations

Further information

- Information on the packaging
<https://support.industry.siemens.com/cs/ww/en/view/109813875>
- Information for data generation and storage
<https://support.industry.siemens.com/cs/ww/en/view/109995012>
- Information- and Downloadcenter (Catalogs, Brochures,...)
<https://www.siemens.com/lowvoltage/catalogs>
- Industry Mall (Online ordering system)
<https://mall.industry.siemens.com/mall/en/en/Catalog/product?mlfb=3VA9032-0LB20>
- Service&Support (Manuals, Certificates, Characteristics, FAQs,...)
<https://support.industry.siemens.com/cs/ww/en/ps/3VA9032-0LB20>
- Image database (product images, 2D dimension drawings, 3D models, device circuit diagrams, ...)
https://www.automation.siemens.com/bilddb/cax_en.aspx?mlfb=3VA9032-0LB20
- CAX-Online-Generator
<https://www.siemens.com/cax>
- Tender specifications
<https://www.siemens.com/specifications>



last modified:

4/3/2025 

