

rear interlock plug-in and withdrawable unit with rod accessory for: 3VA51-54;
3VA61-64



Model	
product brand name	SETRON
product designation	rear interlock
accessories	rear interlock
General technical data	
Net Weight	323 g
Certificates	
General Product Approval	



EG-Konf.





[Confirmation](#)



UL

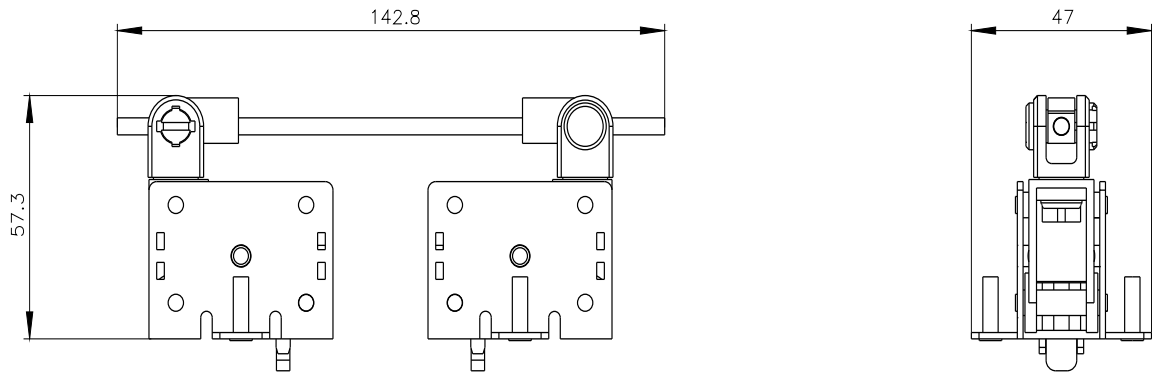
[Miscellaneous](#)



EMV	Test Certificates	Maritime application	other	Environment
 RCM	Type Test Certificates/Test Report	 LRS	Confirmation	Environmental Confirmations

Environment
Environmental Confirmations

Further information
Information on the packaging https://support.industry.siemens.com/cs/ww/en/view/109813875
Information for data generation and storage https://support.industry.siemens.com/cs/ww/en/view/109995012
Information- and Downloadcenter (Catalogs, Brochures,...) https://www.siemens.com/lowvoltage/catalogs
Industry Mall (Online ordering system) https://mall.industry.siemens.com/mall/en/en/Catalog/product?mlfb=3VA9078-0VM30
Service&Support (Manuals, Certificates, Characteristics, FAQs,...) https://support.industry.siemens.com/cs/ww/en/ps/3VA9078-0VM30
Image database (product images, 2D dimension drawings, 3D models, device circuit diagrams, ...) https://www.automation.siemens.com/bilddb/cax_en.aspx?mlfb=3VA9078-0VM30
CAX-Online-Generator



last modified:

4/3/2025 

