



control wire tap for box terminal 10 units accessory for: 3VA10/11

| Model | |
|--|-----------------------------------|
| product brand name | SETRON |
| product designation | control wire tap |
| accessories | Control wire tap |
| General technical data | |
| designation / of the terminal | CW-tap for TS1.X |
| type of electrical connection / with control wire tap | Yes |
| Mechanical Design | |
| Net Weight | 12 g |
| Connections according IEC | |
| connectable conductor cross-section | |
| • for copper cable / stranded / minimum | 0.75 mm ² |
| • for copper cable / stranded / maximum | 2.5 mm ² |
| stripped length | 5-8 mm |
| tightening torque / when using copper cables | |
| • solid | 0.75 - 2.5 mm ² : 2 Nm |
| • finely stranded | 0.75 - 2.5 mm ² : 2 Nm |
| Connections according UL | |
| permissible temperature / of connectable conductor / according to UL 486A-486B | 75 °C |
| stripped length | 0.2-0.3 in |
| Certificates | |
| General Product Approval | EMV |



[Confirmation](#)

[Miscellaneous](#)



| | | | |
|-------------------|----------------------|-------|-------------|
| Test Certificates | Maritime application | other | Environment |
|-------------------|----------------------|-------|-------------|

[Type Test Certificates/Test Report](#)



[Confirmation](#)

[Miscellaneous](#)

[Environmental Confirmations](#)

[Environmental Confirmations](#)

Further information

Information on the packaging
<https://support.industry.siemens.com/cs/ww/en/view/109813875>
 Information for data generation and storage

<https://support.industry.siemens.com/cs/ww/en/view/109995012>

Information- and Downloadcenter (Catalogs, Brochures,...)

<https://www.siemens.com/lowvoltage/catalogs>

Industry Mall (Online ordering system)

<https://mall.industry.siemens.com/mall/en/en/Catalog/product?mlfb=3VA9110-0WB00>

Service&Support (Manuals, Certificates, Characteristics, FAQs,...)

<https://support.industry.siemens.com/cs/ww/en/ps/3VA9110-0WB00>

Image database (product images, 2D dimension drawings, 3D models, device circuit diagrams, ...)

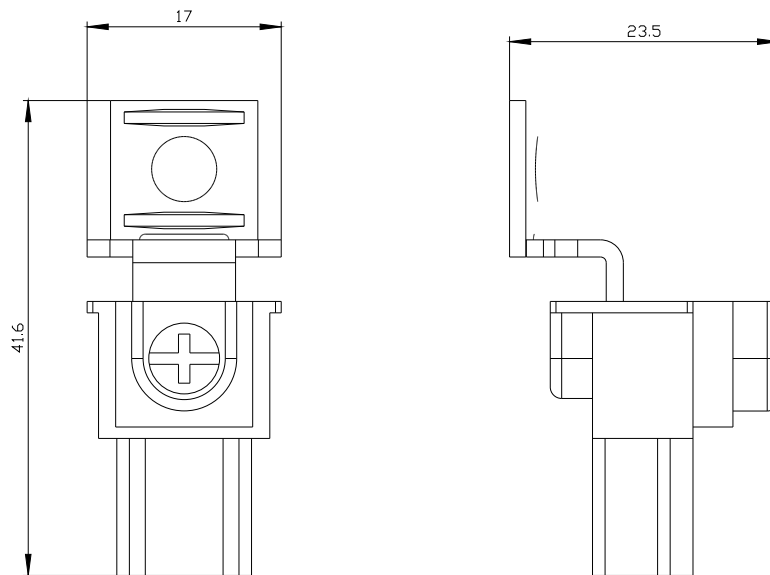
https://www.automation.siemens.com/bilddb/cax_en.aspx?mlfb=3VA9110-0WB00

CAX-Online-Generator

<https://www.siemens.com/cax>

Tender specifications

<https://www.siemens.com/specifications>



last modified:

4/3/2025 

