

insulating plate broadened 4-pole; 1 unit accessory for: 3VA10/11



| Model                    |                            |                   |
|--------------------------|----------------------------|-------------------|
| product brand name       | SETRON                     |                   |
| product designation      | insulating plate broadened |                   |
| accessories              | Insulating plate           |                   |
| Mechanical Design        |                            |                   |
| Net Weight               | 37 g                       |                   |
| Certificates             |                            |                   |
| General Product Approval | EMV                        | Test Certificates |




EG-Konf.



[Miscellaneous](#)

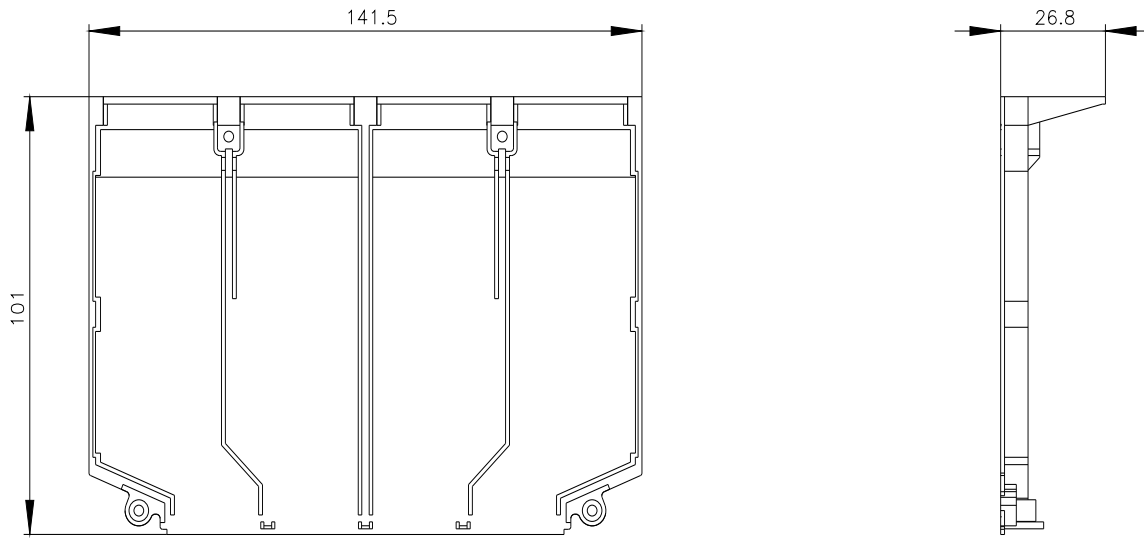


[Type Test Certificates/Test Report](#)

| Maritime application  | other                        | Environment                   |   |   |
|---|------------------------------|-------------------------------|---|---|
|  | <a href="#">Confirmation</a> | <a href="#">Miscellaneous</a> | <a href="#">Environmental Confirmations</a> | <a href="#">Environmental Confirmations</a> |
| LRS   |                              |                               |   |   |

**Further information**

- Information on the packaging <https://support.industry.siemens.com/cs/ww/en/view/109813875>
- Information for data generation and storage <https://support.industry.siemens.com/cs/ww/en/view/109995012>
- Information- and Downloadcenter (Catalogs, Brochures,...) <https://www.siemens.com/lowvoltage/catalogs>
- Industry Mall (Online ordering system) <https://mall.industry.siemens.com/mall/en/en/Catalog/product?mlfb=3VA9111-0WK40>
- Service&Support (Manuals, Certificates, Characteristics, FAQs,...) <https://support.industry.siemens.com/cs/ww/en/ps/3VA9111-0WK40>
- Image database (product images, 2D dimension drawings, 3D models, device circuit diagrams, ...) [https://www.automation.siemens.com/bilddb/cax\\_en.aspx?mlfb=3VA9111-0WK40](https://www.automation.siemens.com/bilddb/cax_en.aspx?mlfb=3VA9111-0WK40)
- CAX-Online-Generator <https://www.siemens.com/cax>
- Tender specifications <https://www.siemens.com/specifications>



---

last modified:

4/3/2025 

