

side mounted motor operator 110-250 V AC/DC accessory for: 3VA11

Model	
product brand name	SENTRON
product designation	Side mounted motor operator
accessories	Lateral motorized operating mechanism
General technical data	
make time / typical	0.3 s
break time / typical	0.3 s
Voltage	
type of voltage / of the operating voltage / for actuation	AC/DC
Rated control supply voltage $U_s$ at AC 50 Hz	
• minimum	110 V
• maximum	230 V
• Rated control supply voltage $U_s$ at AC 60 Hz / minimum	110 V
• Rated control supply voltage $U_s$ at AC 60 Hz / maximum	230 V
Rated control supply voltage $U_s$ with DC	
• minimum	110 V
• maximal	250 V
operating apparent power	250 VA
Mechanical Design	
height	149 mm
width	78 mm
depth	93.8 mm
Net Weight	912 g
connectable conductor cross-section / solid	
• minimum	1.5 mm <sup>2</sup>
• maximum	2.5 mm <sup>2</sup>
connectable conductor cross-section / finely stranded / with core end processing	
• minimum	1.5 mm <sup>2</sup>
• maximum	2.5 mm <sup>2</sup>
connectable conductor cross-section / stranded	
• minimum	1.5 mm <sup>2</sup>
• maximum	2.5 mm <sup>2</sup>
tightening torque	
• minimum	0.36 N·m
• maximum	0.44 N·m
Connections according IEC	
stripped length	7 mm

## Connections according UL

<b>ambient temperature / during operation</b>	
• minimum	-25 °C
• maximum	70 °C
<b>ambient temperature / during storage</b>	
• minimum	-40 °C
• maximum	80 °C

## Certificates

General Product Approval	EMV	Test Certificates
--------------------------	-----	-------------------



EG-Konf.



[Miscellaneous](#)



[Type Test Certificates/Test Report](#)

Maritime application	other	Dangerous goods	Environment
----------------------	-------	-----------------	-------------



LRS

[Confirmation](#)

[Miscellaneous](#)

[Transport Information](#)

[Environmental Conformations](#)



## Environment

[Environmental Conformations](#)

## Further information

### Information on the packaging

<https://support.industry.siemens.com/cs/ww/en/view/109813875>

### Information for data generation and storage

<https://support.industry.siemens.com/cs/ww/en/view/109995012>

### Information- and Downloadcenter (Catalogs, Brochures,...)

<https://www.siemens.com/lowvoltage/catalogs>

### Industry Mall (Online ordering system)

<https://mall.industry.siemens.com/mall/en/en/Catalog/product?mlfb=3VA9117-0HB20>

### Service&Support (Manuals, Certificates, Characteristics, FAQs,...)

<https://support.industry.siemens.com/cs/ww/en/ps/3VA9117-0HB20>

### Image database (product images, 2D dimension drawings, 3D models, device circuit diagrams, ...)

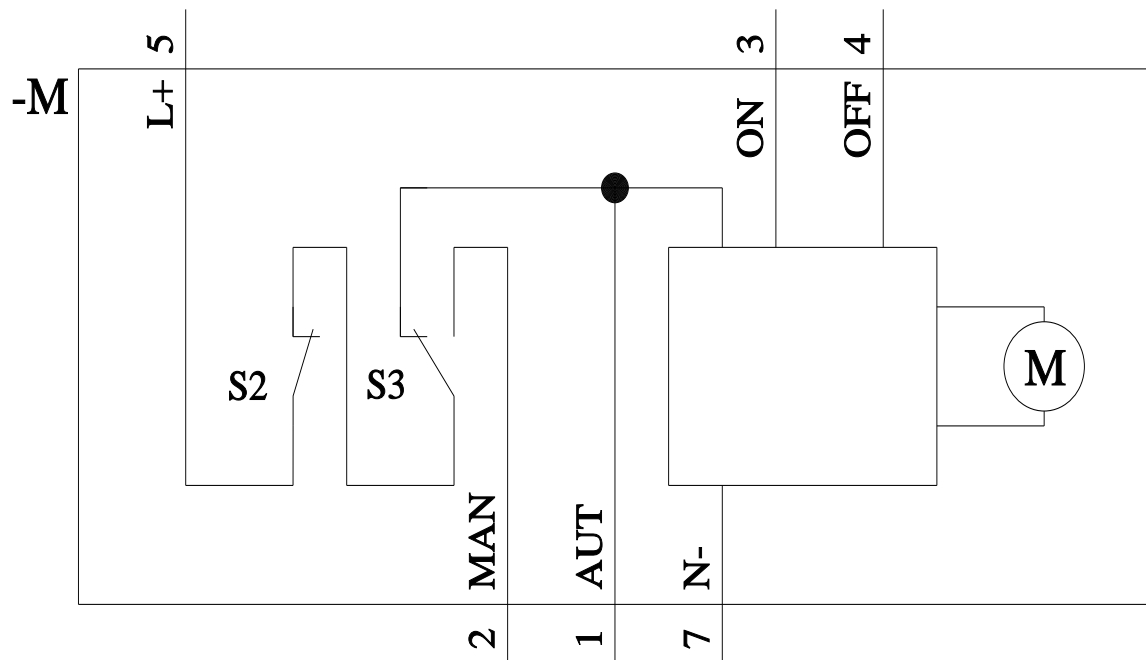
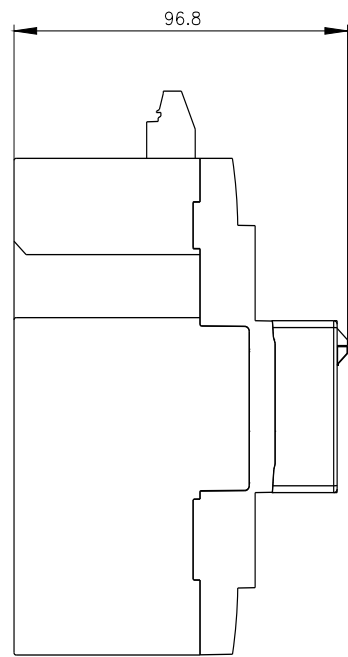
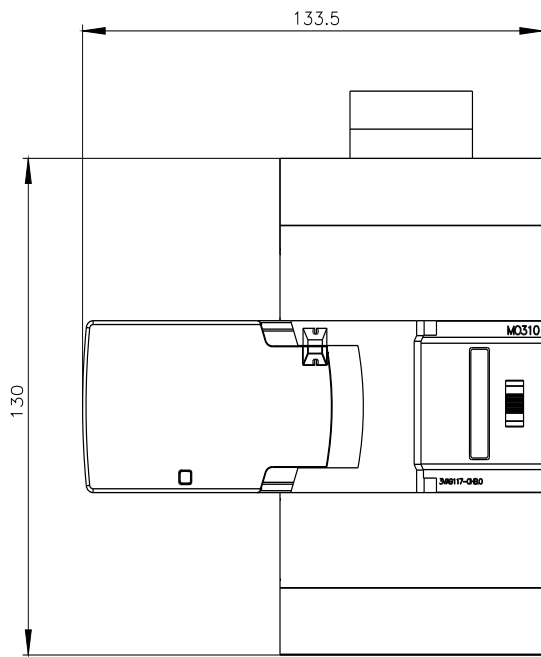
[https://www.automation.siemens.com/bilddb/cax\\_en.aspx?mlfb=3VA9117-0HB20](https://www.automation.siemens.com/bilddb/cax_en.aspx?mlfb=3VA9117-0HB20)

### CAX-Online-Generator

<https://www.siemens.com/cax>

### Tender specifications

<https://www.siemens.com/specifications>



last modified:

4/3/2025

