

nut keeper kit; 3 units accessory for: 3VA4



Model	
product brand name	SETRON
product designation	nut keeper kit
accessories	Nut keeper kit
Mechanical Design	
Net Weight	50 g
Connections according IEC	
thickness / of the busbar / minimum	0 mm
width / of the busbar / maximum	17 mm
Connections according UL	
width / of the busbar / maximum	0.7 in
thickness / of the busbar / minimum	0 in
thickness / of the busbar / maximum	0.25 in
Certificates	
General Product Approval	



[Confirmation](#)

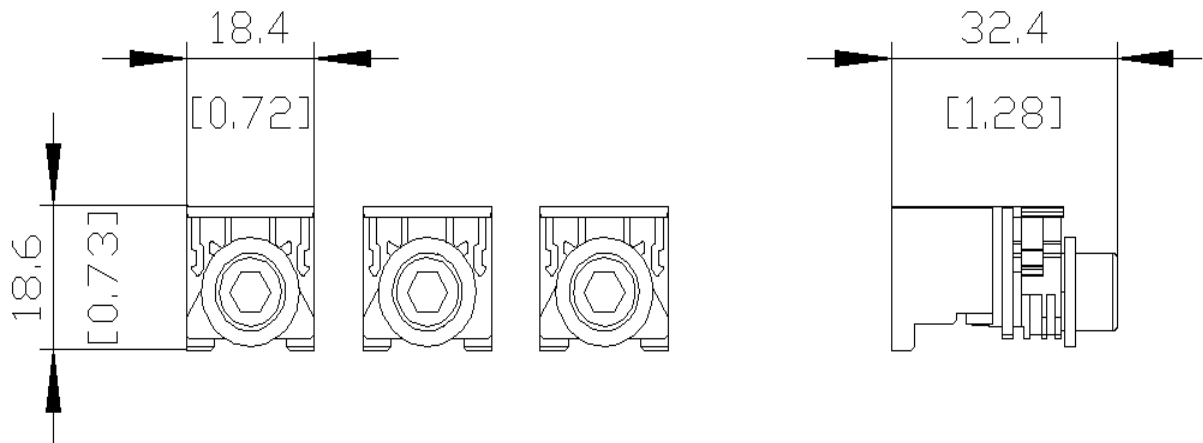


[Miscellaneous](#)



EMV	Maritime application	other	Environment		
		Confirmation	Miscellaneous	Environmental Confirmations	Environmental Confirmations

Further information
Information on the packaging https://support.industry.siemens.com/cs/ww/en/view/109813875
Information for data generation and storage https://support.industry.siemens.com/cs/ww/en/view/109995012
Information- and Downloadcenter (Catalogs, Brochures,...) https://www.siemens.com/lowvoltage/catalogs
Industry Mall (Online ordering system) https://mall.industry.siemens.com/mall/en/en/Catalog/product?mlfb=3VA9133-0QA01
Service&Support (Manuals, Certificates, Characteristics, FAQs,...) https://support.industry.siemens.com/cs/ww/en/ps/3VA9133-0QA01
Image database (product images, 2D dimension drawings, 3D models, device circuit diagrams, ...) https://www.automation.siemens.com/bilddb/cax_en.aspx?mlfb=3VA9133-0QA01
CAX-Online-Generator



last modified:

4/4/2025 

