

supplementary handle for door mounted rotary operator EMERGENCY STOP accessory for: 3VA51



Model	
product brand name	SETRON
product designation	Supplementary handle for door mounted rotary operator
accessories	supplementary handle for door-coupling rotary operating mechanism
Mechanical Design	
height	45 mm
width	45 mm
depth	36 mm
Net Weight	49 g
Certificates	
General Product Approval	

[Confirmation](#)



EG-Konf.



UL

[Miscellaneous](#)



EMV	Maritime application	other	Environment
-----	----------------------	-------	-------------



RCM



LRS

[Confirmation](#)

[Miscellaneous](#)

[Environmental Con-  
firmations](#)

[Environmental Con-  
firmations](#)

### Further information

Information on the packaging

<https://support.industry.siemens.com/cs/ww/en/view/109813875>

Information for data generation and storage

<https://support.industry.siemens.com/cs/ww/en/view/109995012>

Information- and Downloadcenter (Catalogs, Brochures,...)

<https://www.siemens.com/lowvoltage/catalogs>

Industry Mall (Online ordering system)

<https://mall.industry.siemens.com/mall/en/en/Catalog/product?mlfb=3VA9137-0GC05>

Service&Support (Manuals, Certificates, Characteristics, FAQs,...)

<https://support.industry.siemens.com/cs/ww/en/ps/3VA9137-0GC05>

Image database (product images, 2D dimension drawings, 3D models, device circuit diagrams, ...)

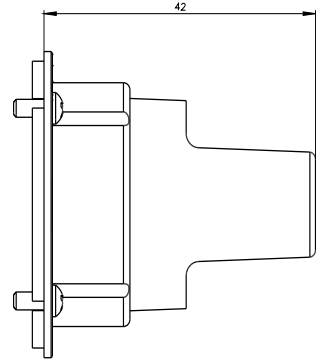
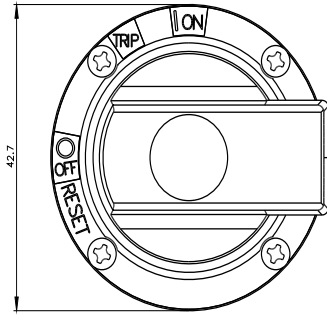
[https://www.automation.siemens.com/bilddb/cax\\_en.aspx?mlfb=3VA9137-0GC05](https://www.automation.siemens.com/bilddb/cax_en.aspx?mlfb=3VA9137-0GC05)

CAx-Online-Generator

<https://www.siemens.com/cax>

Tender specifications

<https://www.siemens.com/specifications>



---

last modified:

4/3/2025 

