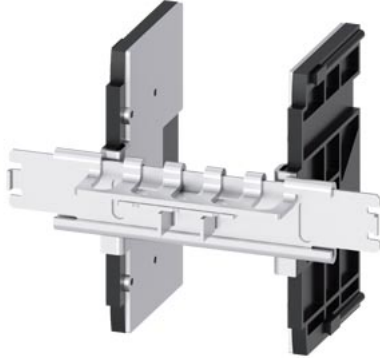


handle interlocking module accessory for: 3VA51



Model	
product brand name	SETRON
product designation	rear interlock
accessories	rear interlock
General technical data	
Net Weight	585 g
Certificates	
General Product Approval	



EG-Konf.





[Confirmation](#)



UL

[Miscellaneous](#)



EMV	Maritime application	other	Environment		
		<a href="#">Confirmation</a>	<a href="#">Miscellaneous</a>	<a href="#">Environmental Confirmations</a>	<a href="#">Environmental Confirmations</a>
RCM	LRS				

### Further information

Information on the packaging

<https://support.industry.siemens.com/cs/ww/en/view/109813875>

Information for data generation and storage

<https://support.industry.siemens.com/cs/ww/en/view/109995012>

Information- and Downloadcenter (Catalogs, Brochures,...)

<https://www.siemens.com/lowvoltage/catalogs>

Industry Mall (Online ordering system)

<https://mall.industry.siemens.com/mall/en/en/Catalog/product?mlfb=3VA9138-0VF30>

Service&Support (Manuals, Certificates, Characteristics, FAQs,...)

<https://support.industry.siemens.com/cs/ww/en/ps/3VA9138-0VF30>

Image database (product images, 2D dimension drawings, 3D models, device circuit diagrams, ...)

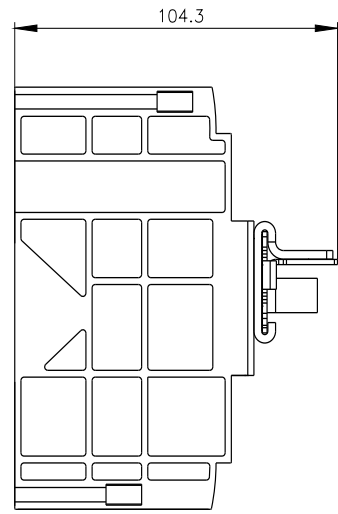
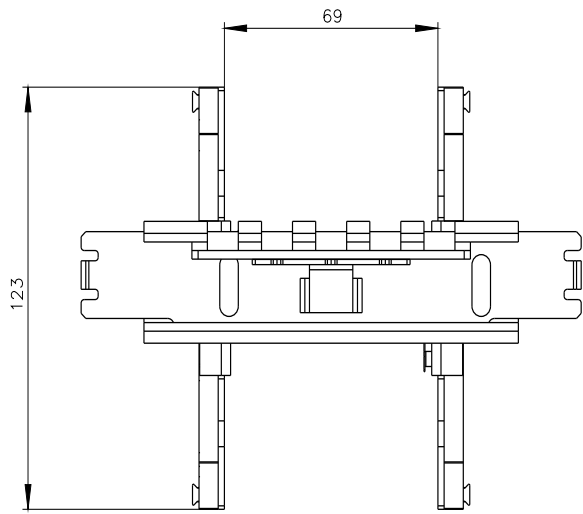
[https://www.automation.siemens.com/bilddb/cax\\_en.aspx?mlfb=3VA9138-0VF30](https://www.automation.siemens.com/bilddb/cax_en.aspx?mlfb=3VA9138-0VF30)

CAX-Online-Generator

<https://www.siemens.com/cax>

Tender specifications

<https://www.siemens.com/specifications>



---

last modified:

4/3/2025 

