

side wall mounted rot. operator EMERGENCY OFF IEC IP65 with mounting bracket accessory for: 3VA10/11




Model		
product brand name	SENTRON	
product designation	side wall-mounted rotary operator	
accessories	Side panel rotary operating mechanism	
General technical data		
protection class IP	IP65	
Mechanical Design		
height	70 mm	
Net Weight	1.3 kg	
Certificates		
General Product Approval	EMV	Test Certificates



[Miscellaneous](#)

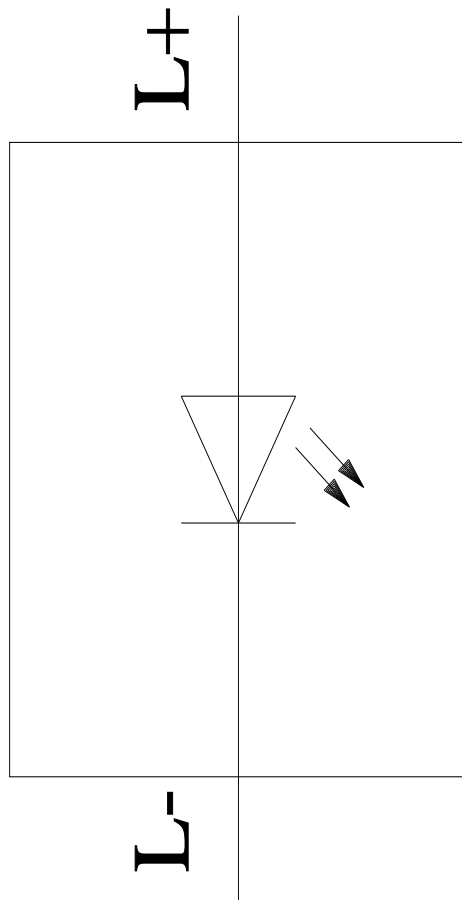
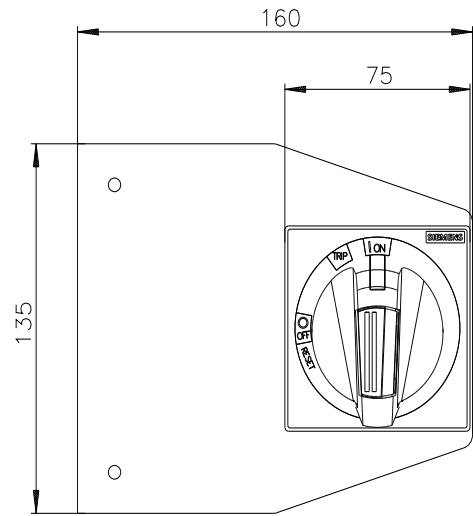
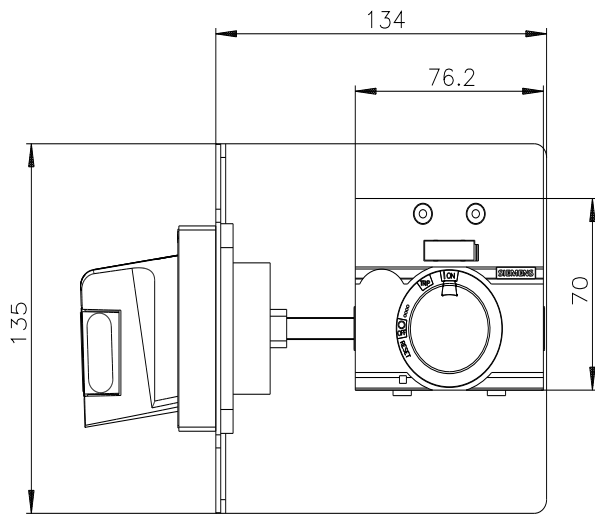


[Type Test Certificates/Test Report](#)

Maritime application	other	Environment	
	Confirmation	Miscellaneous	Environmental Confirmations

Further information

- Information on the packaging
<https://support.industry.siemens.com/cs/ww/en/view/109813875>
- Information for data generation and storage
<https://support.industry.siemens.com/cs/ww/en/view/109995012>
- Information- and Downloadcenter (Catalogs, Brochures,...)
<https://www.siemens.com/lowvoltage/catalogs>
- Industry Mall (Online ordering system)
<https://mall.industry.siemens.com/mall/en/en/Catalog/product?mlfb=3VA9157-0PK55>
- Service&Support (Manuals, Certificates, Characteristics, FAQs,...)
<https://support.industry.siemens.com/cs/ww/en/ps/3VA9157-0PK55>
- Image database (product images, 2D dimension drawings, 3D models, device circuit diagrams, ...)
https://www.automation.siemens.com/bilddb/cax_en.aspx?mlfb=3VA9157-0PK55
- CAX-Online-Generator
<https://www.siemens.com/cax>
- Tender specifications
<https://www.siemens.com/specifications>



last modified:

4/3/2025

