

rear connection stud round short; 1 unit accessory for: 3VA20/21/22



Model	
product brand name	SETRON
product designation	rear connection stud round
accessories	Stud terminal

Mechanical Design	
Net Weight	131 g


Certificates		
General Product Approval	EMV	Test Certificates



[Miscellaneous](#)

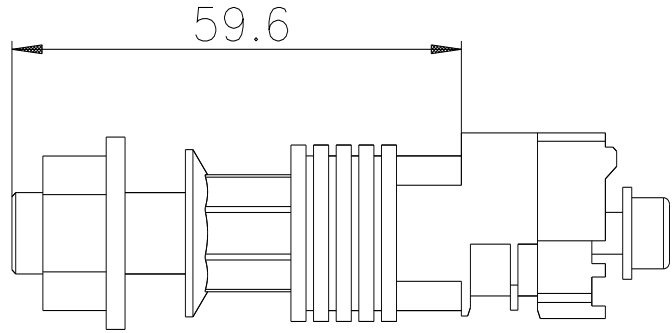
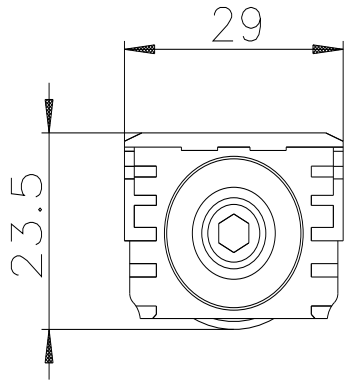


[Type Test Certificates/Test Report](#)

Maritime application	other	Environment		
	Confirmation	Miscellaneous	Environmental Confirmations	Environmental Confirmations

Further information

Information on the packaging
<https://support.industry.siemens.com/cs/ww/en/view/109813875>
 Information for data generation and storage
<https://support.industry.siemens.com/cs/ww/en/view/109995012>
 Information- and Downloadcenter (Catalogs, Brochures,...)
<https://www.siemens.com/lowvoltage/catalogs>
 Industry Mall (Online ordering system)
<https://mall.industry.siemens.com/mall/en/en/Catalog/product?mlfb=3VA9201-0QF10>
 Service&Support (Manuals, Certificates, Characteristics, FAQs,...)
<https://support.industry.siemens.com/cs/ww/en/ps/3VA9201-0QF10>
 Image database (product images, 2D dimension drawings, 3D models, device circuit diagrams, ...)
https://www.automation.siemens.com/bilddb/cax_en.aspx?mlfb=3VA9201-0QF10
 CAx-Online-Generator
<https://www.siemens.com/cax>
 Tender specifications
<https://www.siemens.com/specifications>



last modified:

4/4/2025 

