

insulating plate extended 4-pole; 1 unit accessory for: 3VA12



Model	
product brand name	SETRON
product designation	insulation plate extended
accessories	Insulating plate
Mechanical Design	
Net Weight	44 g
Certificates	
General Product Approval	EMV



[Confirmation](#)

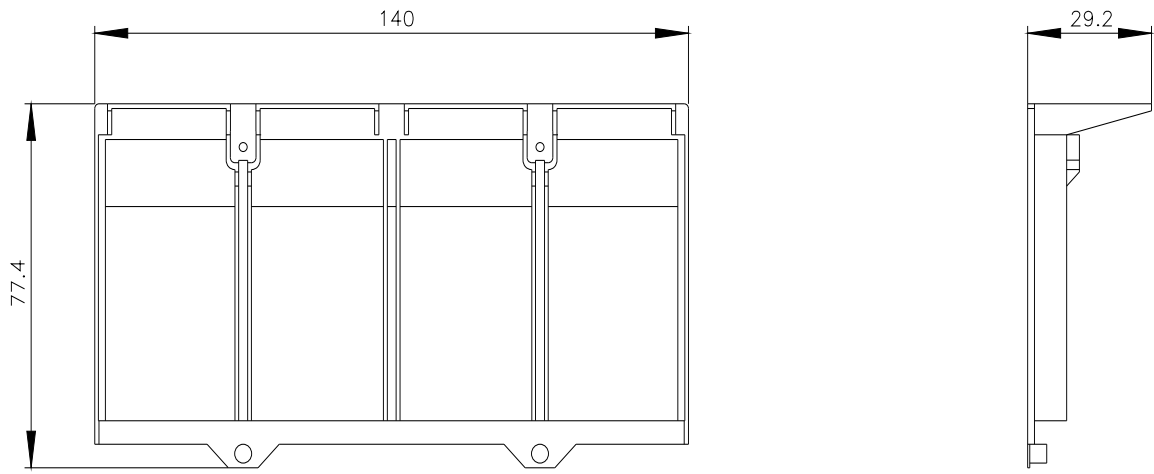
[Miscellaneous](#)



Test Certificates	Maritime application	other	Environment		
<a href="#">Type Test Certificates/Test Report</a>		<a href="#">Confirmation</a>	<a href="#">Miscellaneous</a>	<a href="#">Environmental Confirmations</a>	<a href="#">Environmental Confirmations</a>

### Further information

- Information on the packaging  
<https://support.industry.siemens.com/cs/ww/en/view/109813875>
- Information for data generation and storage  
<https://support.industry.siemens.com/cs/ww/en/view/109995012>
- Information- and Downloadcenter (Catalogs, Brochures,...)  
<https://www.siemens.com/lowvoltage/catalogs>
- Industry Mall (Online ordering system)  
<https://mall.industry.siemens.com/mall/en/en/Catalog/product?mlfb=3VA9211-0WJ40>
- Service&Support (Manuals, Certificates, Characteristics, FAQs,...)  
<https://support.industry.siemens.com/cs/ww/en/ps/3VA9211-0WJ40>
- Image database (product images, 2D dimension drawings, 3D models, device circuit diagrams, ...)  
[https://www.automation.siemens.com/bilddb/cax\\_en.aspx?mlfb=3VA9211-0WJ40](https://www.automation.siemens.com/bilddb/cax_en.aspx?mlfb=3VA9211-0WJ40)
- CAX-Online-Generator  
<https://www.siemens.com/cax>
- Tender specifications  
<https://www.siemens.com/specifications>



---

last modified:

4/3/2025 

