

terminal cover extended 4-pole; 1 unit accessory for: 3VA20/21/22





Model	
product brand name	SETRON
product designation	Terminal cover extended 4-pole 1 unit
accessories	Terminal cover
Mechanical Design	
Net Weight	181.5 g
Certificates	
General Product Approval	EMV



[Confirmation](#)

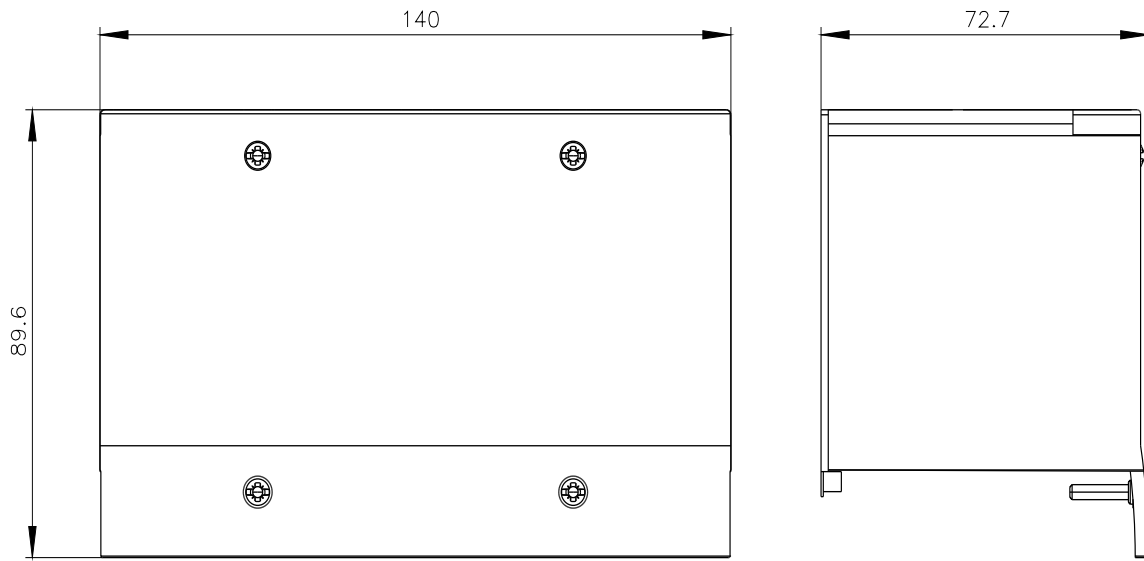
[Miscellaneous](#)



Maritime application	other	Environment			
	Confirmation	Miscellaneous		Environmental Confirmations	Environmental Confirmations

Further information

- Information on the packaging
<https://support.industry.siemens.com/cs/ww/en/view/109813875>
- Information for data generation and storage
<https://support.industry.siemens.com/cs/ww/en/view/109995012>
- Information- and Downloadcenter (Catalogs, Brochures,...)
<https://www.siemens.com/lowvoltage/catalogs>
- Industry Mall (Online ordering system)
<https://mall.industry.siemens.com/mall/en/en/Catalog/product?mlfb=3VA9221-0WF40>
- Service&Support (Manuals, Certificates, Characteristics, FAQs,...)
<https://support.industry.siemens.com/cs/ww/en/ps/3VA9221-0WF40>
- Image database (product images, 2D dimension drawings, 3D models, device circuit diagrams, ...)
https://www.automation.siemens.com/bilddb/cax_en.aspx?mlfb=3VA9221-0WF40
- CAX-Online-Generator
<https://www.siemens.com/cax>
- Tender specifications
<https://www.siemens.com/specifications>



last modified:

4/3/2025 