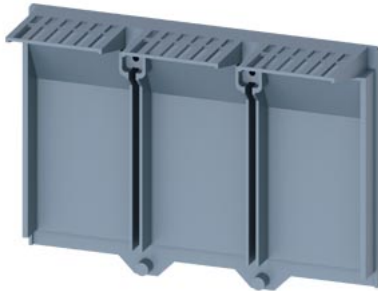


insulating plate extended 3-pole; 1 unit accessory for: 3VA20/21/22




| Model | |
|--------------------------|---------------------------|
| product brand name | SETRON |
| product designation | insulation plate extended |
| accessories | Insulating plate |
| Mechanical Design | |
| Net Weight | 40 g |
| Certificates | |
| General Product Approval | EMV |



[Confirmation](#)

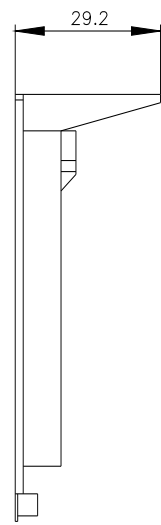
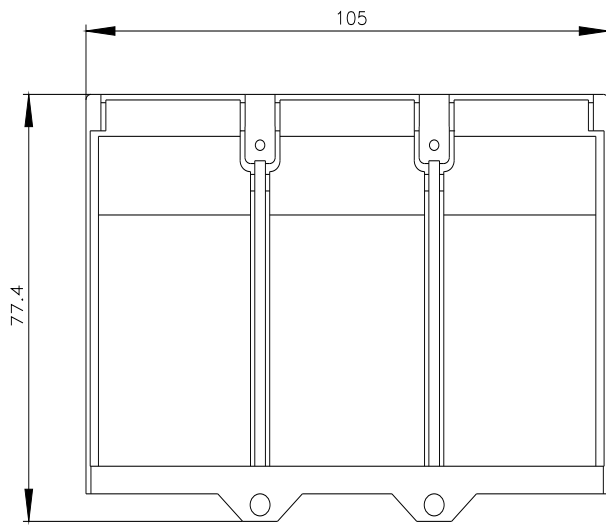
[Miscellaneous](#)



| Maritime application | other | Environment | | |
|--|------------------------------|-------------------------------|---|---|
|  LRS | Confirmation | Miscellaneous | Environmental Con- firmations | Environmental Con- firmations |

Further information

- Information on the packaging
<https://support.industry.siemens.com/cs/ww/en/view/109813875>
- Information for data generation and storage
<https://support.industry.siemens.com/cs/ww/en/view/109995012>
- Information- and Downloadcenter (Catalogs, Brochures,...)
<https://www.siemens.com/lowvoltage/catalogs>
- Industry Mall (Online ordering system)
<https://mall.industry.siemens.com/mall/en/en/Catalog/product?mlfb=3VA9221-0WJ30>
- Service&Support (Manuals, Certificates, Characteristics, FAQs,...)
<https://support.industry.siemens.com/cs/ww/en/ps/3VA9221-0WJ30>
- Image database (product images, 2D dimension drawings, 3D models, device circuit diagrams, ...)
https://www.automation.siemens.com/bilddb/cax_en.aspx?mlfb=3VA9221-0WJ30
- CAx-Online-Generator
<https://www.siemens.com/cax>
- Tender specifications
<https://www.siemens.com/specifications>



last modified:

4/3/2025 

