

box terminal TS1.4 3 units 4 AWG...350 kcmil with control wire voltage tap 3 units
accessory for: 3VA61/62

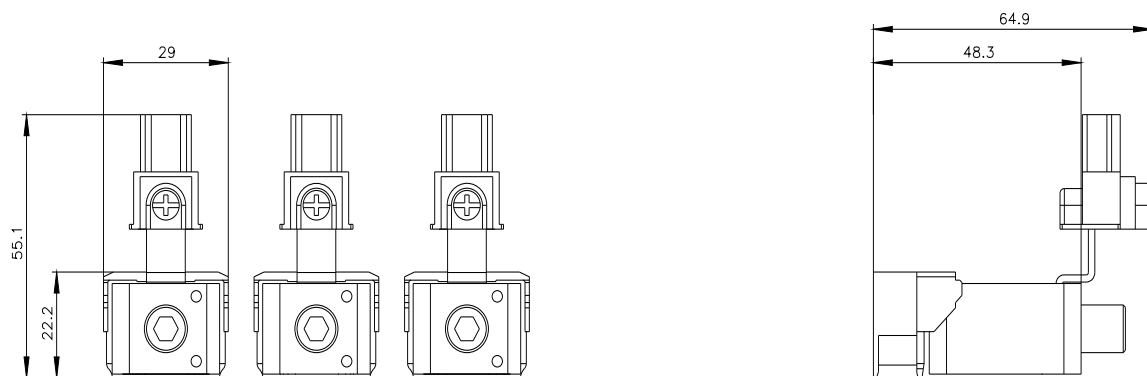


Model		
product brand name	SENTRON	
product designation	Box terminal with voltage tap 3 units	
accessories	Box terminal	
General technical data		
designation / of the terminal	TS1.4	
type of electrical connection / with control wire tap	Yes	
Mechanical Design		
Net Weight	237 g	
Connections according IEC		
connectable conductor cross-section		
<ul style="list-style-type: none"> for copper cable / stranded / minimum for copper cable / stranded / maximum 	25 mm ² 185 mm ²	
type of connectable conductor cross-sections / of the laminated conductor rails		
<ul style="list-style-type: none"> minimum maximum 	5 x 15.5mm x 0.8mm, 4 x 20mm x 1mm 6 x 15.5mm x 0.8mm, 6 x 20mm x 1mm	
stripped length	19 mm	
tightening torque / when using copper cables		
<ul style="list-style-type: none"> stranded finely stranded finely stranded / with core end processing 	25 - 35 mm ² : 6 Nm, 50 - 185 mm ² : 12 Nm 35 mm ² : 6 Nm 50 -150 mm ² : 12 Nm 25 - 35 mm ² : 6 Nm, 50 -150 mm ² : 12 Nm	
Connections according UL		
permissible temperature / of connectable conductor / according to UL 486A-486B	75 °C	
stripped length	0.75 in	
connectable conductor cross-section		
<ul style="list-style-type: none"> for copper cable / stranded / minimum for copper cable / stranded / maximum 	4 AWG 350 kcmil	
tightening torque / when using copper cables		
<ul style="list-style-type: none"> stranded 	4 - 1 AWG: 70 lb-in; 1/0 AWG - 350 kcmil: 140 lb-in	
Certificates		
General Product Approval	EMV	Maritime application



[Miscellaneous](#)



[Confirmation](#)[Miscellaneous](#)[Environmental Con-
firmations](#)[Environmental Con-
firmations](#)**Further information****Information on the packaging**<https://support.industry.siemens.com/cs/ww/en/view/109813875>**Information for data generation and storage**<https://support.industry.siemens.com/cs/ww/en/view/109995012>**Information- and Downloadcenter (Catalogs, Brochures,...)**<https://www.siemens.com/lowvoltage/catalogs>**Industry Mall (Online ordering system)**<https://mall.industry.siemens.com/mall/en/en/Catalog/product?mlfb=3VA9243-0JH12>**Service&Support (Manuals, Certificates, Characteristics, FAQs,...)**<https://support.industry.siemens.com/cs/ww/en/ps/3VA9243-0JH12>**Image database (product images, 2D dimension drawings, 3D models, device circuit diagrams, ...)**https://www.automation.siemens.com/bilddb/cax_en.aspx?mlfb=3VA9243-0JH12**CAX-Online-Generator**<https://www.siemens.com/cax>**Tender specifications**<https://www.siemens.com/specifications>

last modified:

8/8/2025

