

box terminal TS1.4 4 units 4 AWG...350 kcmil with control wire voltage tap 4 units
accessory for: 3VA61/62



Model	
product brand name	SENTRON
product designation	Box terminal with voltage tap 4 units
accessories	Box terminal
General technical data	
designation / of the terminal	TS1.4
type of electrical connection / with control wire tap	Yes
Mechanical Design	
Net Weight	310 g
Connections according IEC	
connectable conductor cross-section	
<ul style="list-style-type: none"> for copper cable / stranded / minimum for copper cable / stranded / maximum 	25 mm ² 185 mm ²
type of connectable conductor cross-sections / of the laminated conductor rails	
<ul style="list-style-type: none"> minimum maximum 	5 x 15.5mm x 0.8mm, 4 x 20mm x 1mm 6 x 15.5mm x 0.8mm, 6 x 20mm x 1mm
stripped length	19 mm
tightening torque / when using copper cables	
<ul style="list-style-type: none"> stranded finely stranded finely stranded / with core end processing 	25 - 35 mm ² : 6 Nm, 50 - 185 mm ² : 12 Nm 35 mm ² : 6 Nm 50 -150 mm ² : 12 Nm 25 - 35 mm ² : 6 Nm, 50 -150 mm ² : 12 Nm
Connections according UL	
permissible temperature / of connectable conductor / according to UL 486A-486B	75 °C
stripped length	0.75 in
connectable conductor cross-section	
<ul style="list-style-type: none"> for copper cable / stranded / minimum for copper cable / stranded / maximum 	4 AWG 350 kcmil
tightening torque / when using copper cables	
<ul style="list-style-type: none"> stranded 	4 - 1 AWG: 70 lb-in; 1/0 AWG - 350 kcmil: 140 lb-in
Certificates	
General Product Approval	EMV

[Confirmation](#)

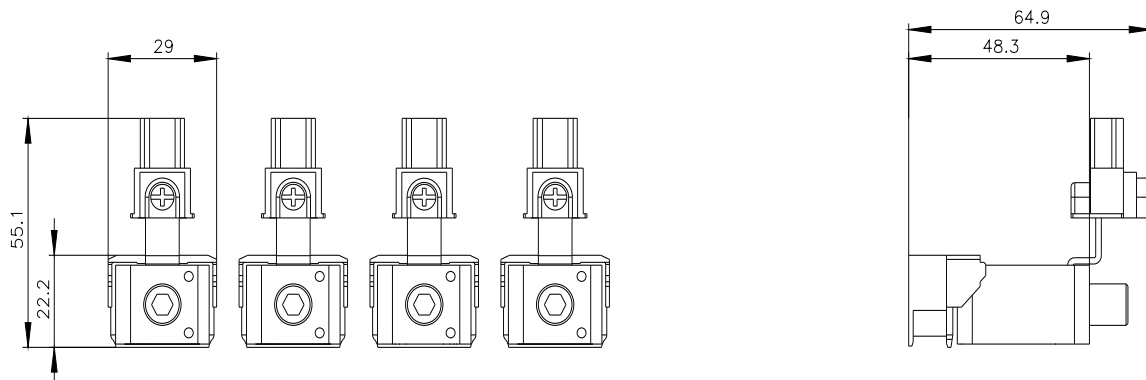


[Miscellaneous](#)





LRS

[Confirmation](#)[Miscellaneous](#)[Environmental Con-
firmations](#)[Environmental Con-
firmations](#)**Further information****Information on the packaging**<https://support.industry.siemens.com/cs/ww/en/view/109813875>**Information for data generation and storage**<https://support.industry.siemens.com/cs/ww/en/view/109995012>**Information- and Downloadcenter (Catalogs, Brochures,...)**<https://www.siemens.com/lowvoltage/catalogs>**Industry Mall (Online ordering system)**<https://mall.industry.siemens.com/mall/en/en/Catalog/product?mlfb=3VA9244-0JH12>**Service&Support (Manuals, Certificates, Characteristics, FAQs,...)**<https://support.industry.siemens.com/cs/ww/en/ps/3VA9244-0JH12>**Image database (product images, 2D dimension drawings, 3D models, device circuit diagrams, ...)**https://www.automation.siemens.com/bilddb/cax_en.aspx?mlfb=3VA9244-0JH12**CAX-Online-Generator**<https://www.siemens.com/cax>**Tender specifications**<https://www.siemens.com/specifications>

last modified:

8/8/2025

