

terminal cover for plug-in and withdrawable socket accessory for: circuit breaker, 4-pole 3VA12



Model	
product brand name	SETRON
product designation	terminal cover
accessories	terminal cover

General technical data	
Net Weight	35 g

Certificates		
General Product Approval	EMV	Test Certificates



[Miscellaneous](#)



[Type Test Certificates/Test Report](#)

Maritime application	other	Environment	
----------------------	-------	-------------	--



[Confirmation](#)

[Miscellaneous](#)

[Environmental Confirmations](#)

[Environmental Confirmations](#)

### Further information

Information on the packaging

<https://support.industry.siemens.com/cs/ww/en/view/109813875>

Information for data generation and storage

<https://support.industry.siemens.com/cs/ww/en/view/109995012>

Information- and Downloadcenter (Catalogs, Brochures,...)

<https://www.siemens.com/lowvoltage/catalogs>

Industry Mall (Online ordering system)

<https://mall.industry.siemens.com/mall/en/en/Catalog/product?mlfb=3VA9254-0KB03>

Service&Support (Manuals, Certificates, Characteristics, FAQs,...)

<https://support.industry.siemens.com/cs/ww/en/ps/3VA9254-0KB03>

Image database (product images, 2D dimension drawings, 3D models, device circuit diagrams, ...)

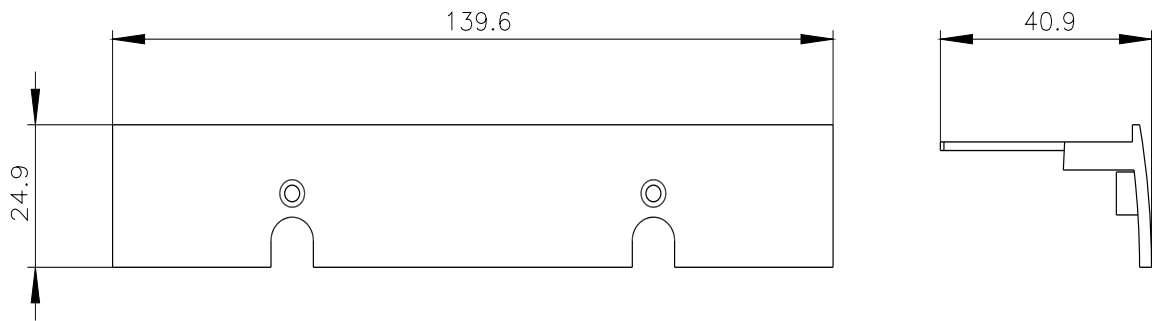
[https://www.automation.siemens.com/bilddb/cax\\_en.aspx?mlfb=3VA9254-0KB03](https://www.automation.siemens.com/bilddb/cax_en.aspx?mlfb=3VA9254-0KB03)

CAX-Online-Generator

<https://www.siemens.com/cax>

Tender specifications

<https://www.siemens.com/specifications>



---

last modified:

5/26/2025 

