

front mounted rotary operator EMERGENCY OFF IEC IP30/40 accessory for:  
3VA20/21/22




Model	
product brand name	SETRON
product designation	front rotary operating mechanism
accessories	Front rotary operator
General technical data	
protection class IP	IP30
Mechanical Design	
height	82 mm
width	105 mm
depth	106 mm
Net Weight	306 g
Certificates	
General Product Approval	EMV



[Confirmation](#)

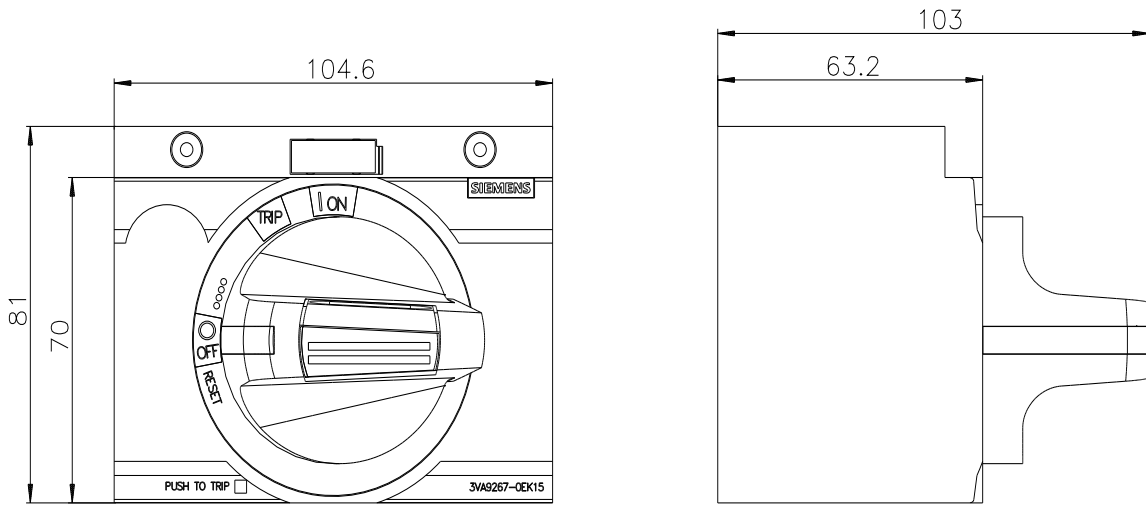
[Miscellaneous](#)



Test Certificates	Maritime application	other	Environment		
<a href="#">Type Test Certificates/Test Report</a>		<a href="#">Confirmation</a>	<a href="#">Miscellaneous</a>	<a href="#">Environmental Confirmations</a>	<a href="#">Environmental Confirmations</a>

### Further information

- Information on the packaging  
<https://support.industry.siemens.com/cs/ww/en/view/109813875>
- Information for data generation and storage  
<https://support.industry.siemens.com/cs/ww/en/view/109995012>
- Information- and Downloadcenter (Catalogs, Brochures,...)  
<https://www.siemens.com/lowvoltage/catalogs>
- Industry Mall (Online ordering system)  
<https://mall.industry.siemens.com/mall/en/en/Catalog/product?mlfb=3VA9267-0EK15>
- Service&Support (Manuals, Certificates, Characteristics, FAQs,...)  
<https://support.industry.siemens.com/cs/ww/en/ps/3VA9267-0EK15>
- Image database (product images, 2D dimension drawings, 3D models, device circuit diagrams, ...)  
[https://www.automation.siemens.com/bilddb/cax\\_en.aspx?mlfb=3VA9267-0EK15](https://www.automation.siemens.com/bilddb/cax_en.aspx?mlfb=3VA9267-0EK15)
- CAX-Online-Generator  
<https://www.siemens.com/cax>
- Tender specifications



last modified:

4/3/2025 

