

autotrip plunger accessory for: plug-in unit 3VA20/21/22; 3VA61/62



Model	
product brand name	SETRON
product designation	Autotrip plunger
accessories	Autotrip plunger
Mechanical Design	
Net Weight	5 g
Certificates	
General Product Approval	EMV



EG-Konf.




[Confirmation](#)

[Miscellaneous](#)

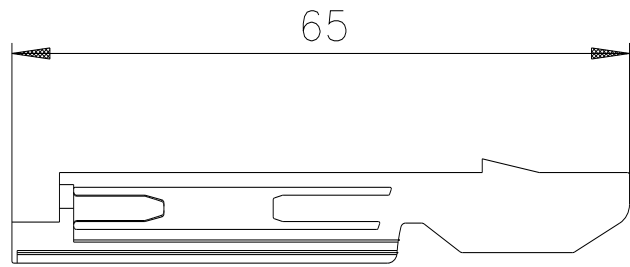
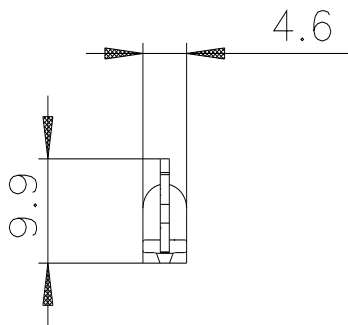


RCM

Test Certificates	Maritime application	other	Environment		
Type Test Certificates/Test Report	 LRS	Confirmation	Miscellaneous	Environmental Confirmations	Environmental Confirmations

Further information

- Information on the packaging
<https://support.industry.siemens.com/cs/ww/en/view/109813875>
- Information for data generation and storage
<https://support.industry.siemens.com/cs/ww/en/view/109995012>
- Information- and Downloadcenter (Catalogs, Brochures,...)
<https://www.siemens.com/lowvoltage/catalogs>
- Industry Mall (Online ordering system)
<https://mall.industry.siemens.com/mall/en/en/Catalog/product?mlfb=3VA9267-0KP81>
- Service&Support (Manuals, Certificates, Characteristics, FAQs,...)
<https://support.industry.siemens.com/cs/ww/en/ps/3VA9267-0KP81>
- Image database (product images, 2D dimension drawings, 3D models, device circuit diagrams, ...)
https://www.automation.siemens.com/bilddb/cax_en.aspx?mlfb=3VA9267-0KP81
- CAX-Online-Generator
<https://www.siemens.com/cax>
- Tender specifications
<https://www.siemens.com/specifications>



last modified:

4/3/2025 

