

insulating plate extended 3-pole; 1 unit accessory for: 3VA52; 3VA61/62



Model	
product brand name	SENTRON
product designation	insulation plate extended
accessories	Insulating plate
Mechanical Design	
Net Weight	41 g
Certificates	
General Product Approval	



[Confirmation](#)



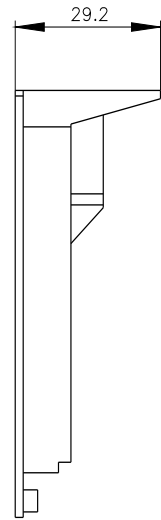
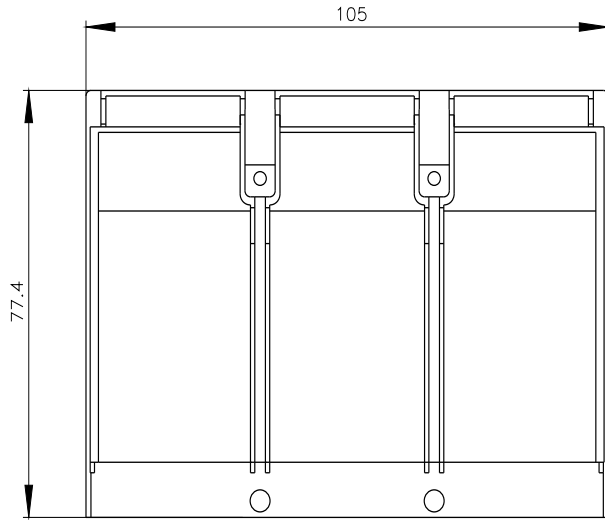
[Miscellaneous](#)



EMV	Test Certificates	Maritime application	other	Environment
	Type Test Certificates/Test Report		Confirmation	Environmental Confirmations

Environment
Environmental Confirmations

Further information
Information on the packaging https://support.industry.siemens.com/cs/ww/en/view/109813875
Information for data generation and storage https://support.industry.siemens.com/cs/ww/en/view/109995012
Information- and Downloadcenter (Catalogs, Brochures,...) https://www.siemens.com/lowvoltage/catalogs
Industry Mall (Online ordering system) https://mall.industry.siemens.com/mall/en/en/Catalog/product?mlfb=3VA9271-0WJ30
Service&Support (Manuals, Certificates, Characteristics, FAQs,...) https://support.industry.siemens.com/cs/ww/en/ps/3VA9271-0WJ30
Image database (product images, 2D dimension drawings, 3D models, device circuit diagrams, ...) https://www.automation.siemens.com/bilddb/cax_en.aspx?mlfb=3VA9271-0WJ30
CAX-Online-Generator



last modified:

4/3/2025 