

door interlock for side wall mount. rot. operators for the UL market accessory for: 3VA52; 3VA61/62



Model	
product brand name	SETRON
product designation	door interlock
accessories	Door interlock
Mechanical Design	
Net Weight	2.218 kg
Certificates	
General Product Approval	EMV



[Confirmation](#)

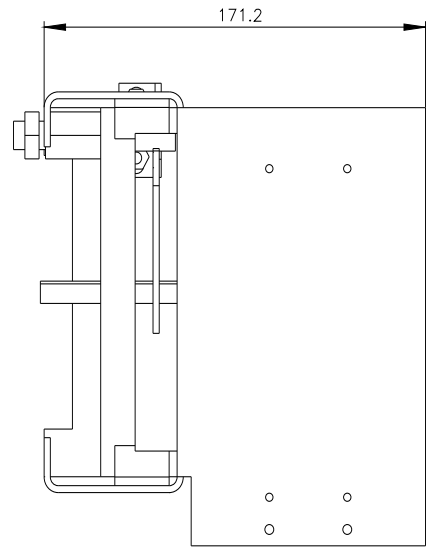
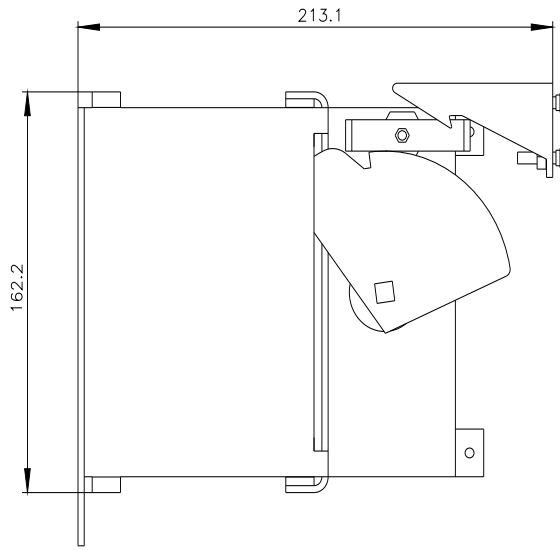
[Miscellaneous](#)



Test Certificates	Maritime application	other	Environment		
<a href="#">Type Test Certificates/Test Report</a>		<a href="#">Confirmation</a>	<a href="#">Miscellaneous</a>	<a href="#">Environmental Confirmations</a>	<a href="#">Environmental Confirmations</a>

**Further information**

- Information on the packaging  
<https://support.industry.siemens.com/cs/ww/en/view/109813875>
- Information for data generation and storage  
<https://support.industry.siemens.com/cs/ww/en/view/109995012>
- Information- and Downloadcenter (Catalogs, Brochures,...)  
<https://www.siemens.com/lowvoltage/catalogs>
- Industry Mall (Online ordering system)  
<https://mall.industry.siemens.com/mall/en/en/Catalog/product?mlfb=3VA9277-0VF40>
- Service&Support (Manuals, Certificates, Characteristics, FAQs,...)  
<https://support.industry.siemens.com/cs/ww/en/ps/3VA9277-0VF40>
- Image database (product images, 2D dimension drawings, 3D models, device circuit diagrams, ...)  
[https://www.automation.siemens.com/bilddb/cax\\_en.aspx?mlfb=3VA9277-0VF40](https://www.automation.siemens.com/bilddb/cax_en.aspx?mlfb=3VA9277-0VF40)
- CAX-Online-Generator  
<https://www.siemens.com/cax>
- Tender specifications  
<https://www.siemens.com/specifications>



---

last modified:

5/26/2025 

