

module for handle interlock w. Bowd. cable accessory for: 3VA53/54; 3VA63/64



Model	
product brand name	SETRON
product designation	Handle interlocking module with Bowden cable
accessories	handle interlocking module with Bowden cable

General technical data	
Net Weight	234 g

Certificates	
General Product Approval	



[Confirmation](#)



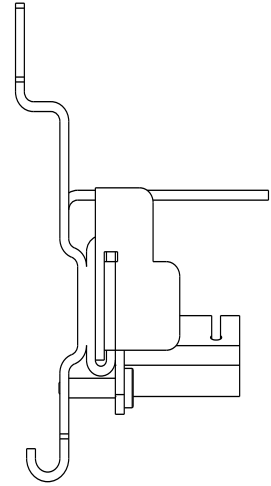
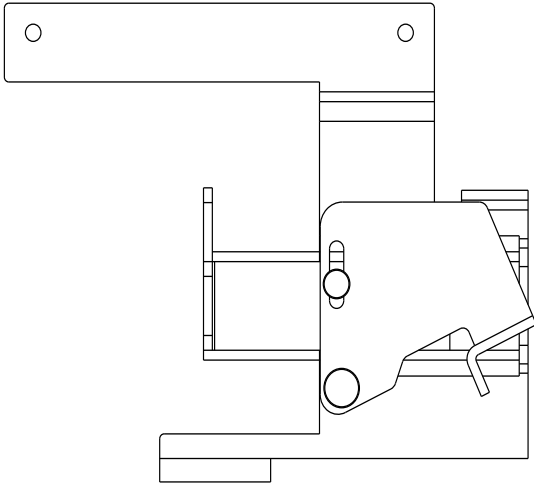
[Miscellaneous](#)



EMV	Test Certificates	Maritime application	other	Environment
	Type Test Certificates/Test Report		Confirmation	Environmental Confirmations

Environment
Environmental Confirmations

Further information
Information on the packaging https://support.industry.siemens.com/cs/ww/en/view/109813875
Information for data generation and storage https://support.industry.siemens.com/cs/ww/en/view/109995012
Information- and Downloadcenter (Catalogs, Brochures,...) https://www.siemens.com/lowvoltage/catalogs
Industry Mall (Online ordering system) https://mall.industry.siemens.com/mall/en/en/Catalog/product?mlfb=3VA9347-0VF10
Service&Support (Manuals, Certificates, Characteristics, FAQs,...) https://support.industry.siemens.com/cs/ww/en/ps/3VA9347-0VF10
Image database (product images, 2D dimension drawings, 3D models, device circuit diagrams, ...) https://www.automation.siemens.com/bilddb/cax_en.aspx?mlfb=3VA9347-0VF10
CAX-Online-Generator



last modified:

4/3/2025 