

module for handle interlock w. Bowd. cable accessory for: 3VA13/14 3VA23/24



| Model | | |
|--------------------------|------------|----------------------|
| product brand name | SETRON | |
| product designation | module | |
| accessories | module for | |
| General technical data | | |
| Net Weight | 227 g | |
| Certificates | | |
| General Product Approval | EMV | Maritime application |



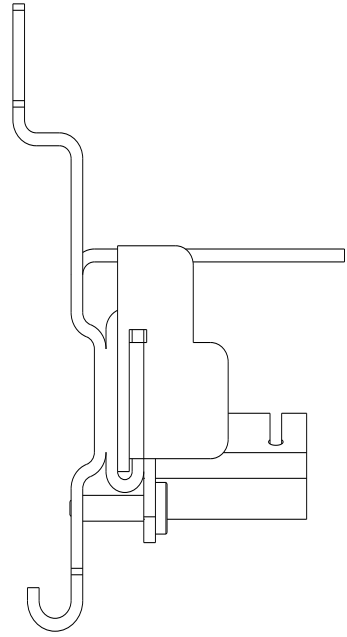
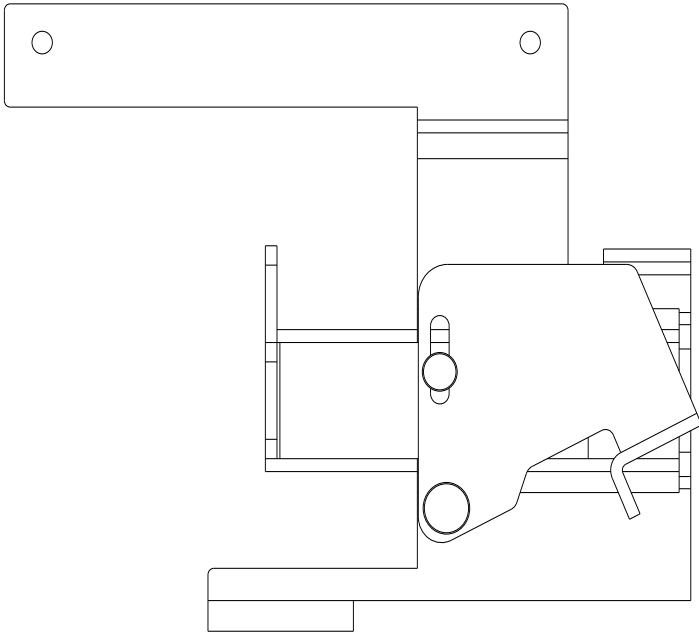
[Miscellaneous](#)



| other | Environment |
|------------------------------|---|
| Confirmation | Miscellaneous |
| | Environmental Con- firmations |
| | Environmental Con- firmations |

Further information

- Information on the packaging
<https://support.industry.siemens.com/cs/ww/en/view/109813875>
- Information for data generation and storage
<https://support.industry.siemens.com/cs/ww/en/view/109995012>
- Information- and Downloadcenter (Catalogs, Brochures,...)
<https://www.siemens.com/lowvoltage/catalogs>
- Industry Mall (Online ordering system)
<https://mall.industry.siemens.com/mall/en/en/Catalog/product?mlfb=3VA9367-0VF10>
- Service&Support (Manuals, Certificates, Characteristics, FAQs,...)
<https://support.industry.siemens.com/cs/ww/en/ps/3VA9367-0VF10>
- Image database (product images, 2D dimension drawings, 3D models, device circuit diagrams, ...)
https://www.automation.siemens.com/bilddb/cax_en.aspx?mlfb=3VA9367-0VF10
- CAX-Online-Generator
<https://www.siemens.com/cax>
- Tender specifications
<https://www.siemens.com/specifications>



last modified:

4/3/2025 

