

rear connection stud round short; 1 unit accessory for: 3VA13/14 3VA23/24



Model	
product brand name	SETRON
product designation	rear connection stud round
accessories	Stud terminal

Mechanical Design	
Net Weight	262 g

Certificates		
General Product Approval	EMV	Test Certificates



[Miscellaneous](#)



[Type Test Certificates/Test Report](#)

Maritime application	other	Environment	
----------------------	-------	-------------	--



[Confirmation](#)

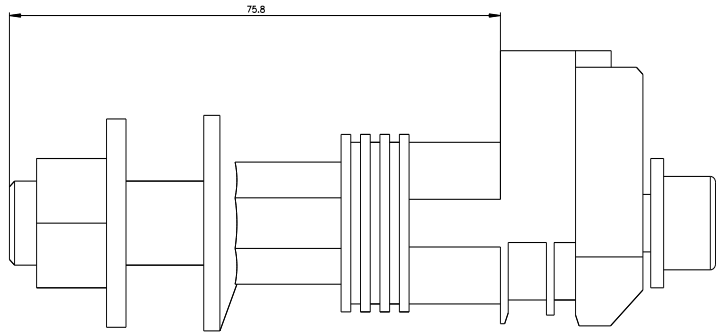
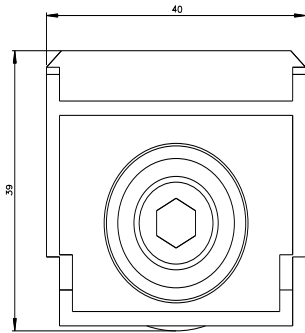
[Miscellaneous](#)

[Environmental Confirmations](#)

[Environmental Confirmations](#)

### Further information

- Information on the packaging  
<https://support.industry.siemens.com/cs/ww/en/view/109813875>
- Information for data generation and storage  
<https://support.industry.siemens.com/cs/ww/en/view/109995012>
- Information- and Downloadcenter (Catalogs, Brochures,...)  
<https://www.siemens.com/lowvoltage/catalogs>
- Industry Mall (Online ordering system)  
<https://mall.industry.siemens.com/mall/en/en/Catalog/product?mlfb=3VA9401-0QF10>
- Service&Support (Manuals, Certificates, Characteristics, FAQs,...)  
<https://support.industry.siemens.com/cs/ww/en/ps/3VA9401-0QF10>
- Image database (product images, 2D dimension drawings, 3D models, device circuit diagrams, ...)  
[https://www.automation.siemens.com/bilddb/cax\\_en.aspx?mlfb=3VA9401-0QF10](https://www.automation.siemens.com/bilddb/cax_en.aspx?mlfb=3VA9401-0QF10)
- CAX-Online-Generator  
<https://www.siemens.com/cax>
- Tender specifications  
<https://www.siemens.com/specifications>



---

last modified:

4/3/2025 

