

front mounted rotary operator EMERGENCY OFF IEC IP30/40 24 V DC lighting kit accessory for: 3VA53/54; 3VA63/64



Model

| | |
|---------------------|----------------------------------|
| product brand name | SETRON |
| product designation | front rotary operating mechanism |
| accessories | Front rotary operator |

General technical data

| | |
|----------------------------------|------|
| degree of protection NEMA rating | 1 |
| protection class IP | IP30 |

Mechanical Design

| | |
|------------|--------|
| height | 94 mm |
| width | 138 mm |
| depth | 108 mm |
| Net Weight | 371 g |

Certificates

General Product Approval



[Confirmation](#)



[Miscellaneous](#)



| EMV | Test Certificates | Maritime application | other | Environment |
|-----|-------------------|----------------------|-------|-------------|
|-----|-------------------|----------------------|-------|-------------|



[Type Test Certificates/Test Report](#)



[Confirmation](#)

[Miscellaneous](#)

[Environmental Confirmations](#)

Environment

[Environmental Confirmations](#)

Further information

Information on the packaging

<https://support.industry.siemens.com/cs/ww/en/view/109813875>

Information for data generation and storage

<https://support.industry.siemens.com/cs/ww/en/view/109995012>

Information- and Downloadcenter (Catalogs, Brochures,...)

<https://www.siemens.com/lowvoltage/catalogs>

Industry Mall (Online ordering system)

<https://mall.industry.siemens.com/mall/en/en/Catalog/product?mlfb=3VA9447-0EK17>

Service&Support (Manuals, Certificates, Characteristics, FAQs,...)

<https://support.industry.siemens.com/cs/ww/en/ps/3VA9447-0EK17>

Image database (product images, 2D dimension drawings, 3D models, device circuit diagrams, ...)

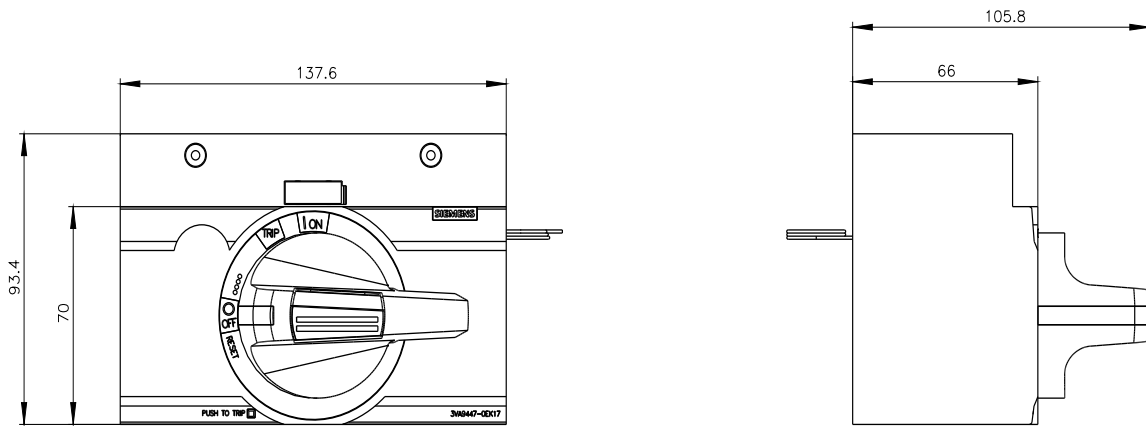
https://www.automation.siemens.com/bilddb/cax_en.aspx?mlfb=3VA9447-0EK17

CAX-Online-Generator

<https://www.siemens.com/cax>

Tender specifications

<https://www.siemens.com/specifications>





last modified:

4/3/2025 