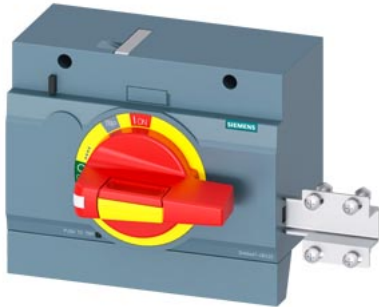


front mounted rotary operator EMERGENCY OFF with door interlock IEC IP30/40
 accessory for: 3VA53/54; 3VA63/64



Model

product brand name	SENTRON
product designation	front rotary operating mechanism
accessories	Front rotary operator

General technical data

degree of protection NEMA rating	1
protection class IP	IP30

Mechanical Design

height	94 mm
width	138 mm
depth	108 mm
Net Weight	506 g

Certificates

General Product Approval



[Confirmation](#)



[Miscellaneous](#)



EMV	Test Certificates	Maritime application	other	Environment
-----	-------------------	----------------------	-------	-------------



[Type Test Certificates/Test Report](#)



[Confirmation](#)

[Miscellaneous](#)

[Environmental Confirmations](#)

Environment

[Environmental Confirmations](#)

Further information

Information on the packaging
<https://support.industry.siemens.com/cs/ww/en/view/109813875>
 Information for data generation and storage
<https://support.industry.siemens.com/cs/ww/en/view/109995012>
 Information- and Downloadcenter (Catalogs, Brochures,...)

<https://www.siemens.com/lowvoltage/catalogs>

Industry Mall (Online ordering system)

<https://mall.industry.siemens.com/mall/en/en/Catalog/product?mlfb=3VA9447-0EK25>

Service&Support (Manuals, Certificates, Characteristics, FAQs,...)

<https://support.industry.siemens.com/cs/ww/en/ps/3VA9447-0EK25>

Image database (product images, 2D dimension drawings, 3D models, device circuit diagrams, ...)

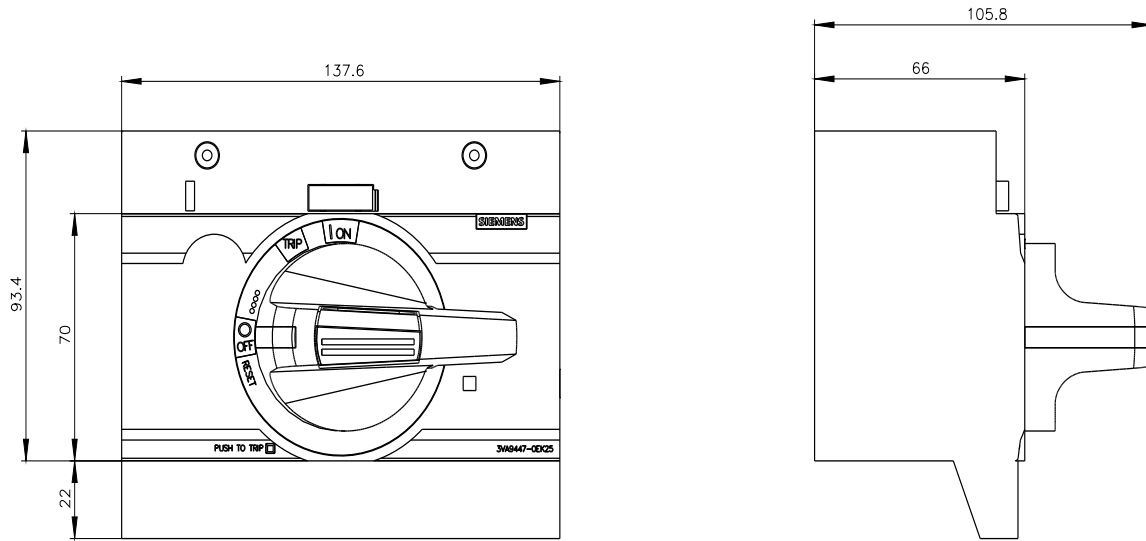
https://www.automation.siemens.com/bilddb/cax_en.aspx?mlfb=3VA9447-0EK25

CAX-Online-Generator

<https://www.siemens.com/cax>

Tender specifications

<https://www.siemens.com/specifications>



last modified:

4/3/2025 

