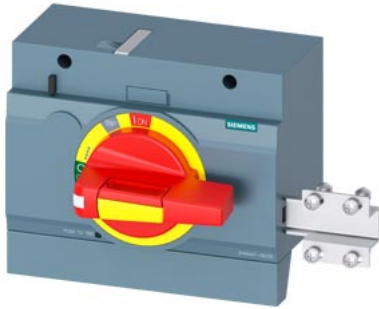


front mounted rotary operator EMERGENCY OFF IP30 with door interlock and door opening position accessory for: 3VA53/54; 3VA63/64



Model	
product brand name	SENTRON
product designation	front rotary operating mechanism
accessories	Front rotary operator
General technical data	
degree of protection NEMA rating	1
protection class IP	IP30
Mechanical Design	
height	94 mm
width	138 mm
depth	108 mm
Net Weight	502 g

Certificates	
General Product Approval	EMV



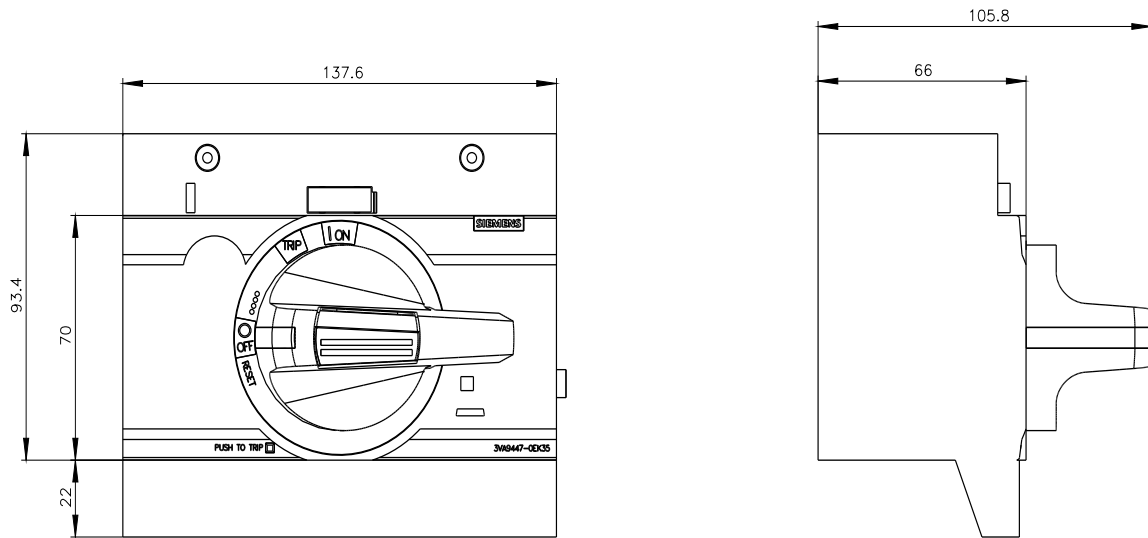
[Miscellaneous](#)



Test Certificates	Maritime application	other	Environment		
<a href="#">Type Test Certificates/Test Report</a>		<a href="#">Confirmation</a>	<a href="#">Miscellaneous</a>	<a href="#">Environmental Confirmations</a>	<a href="#">Environmental Confirmations</a>

### Further information

- Information on the packaging  
<https://support.industry.siemens.com/cs/ww/en/view/109813875>
- Information for data generation and storage  
<https://support.industry.siemens.com/cs/ww/en/view/109995012>
- Information- and Downloadcenter (Catalogs, Brochures,...)  
<https://www.siemens.com/lowvoltage/catalogs>
- Industry Mall (Online ordering system)  
<https://mall.industry.siemens.com/mall/en/en/Catalog/product?mlfb=3VA9447-0EK35>
- Service&Support (Manuals, Certificates, Characteristics, FAQs,...)  
<https://support.industry.siemens.com/cs/ww/en/ps/3VA9447-0EK35>
- Image database (product images, 2D dimension drawings, 3D models, device circuit diagrams, ...)  
[https://www.automation.siemens.com/bilddb/cax\\_en.aspx?mlfb=3VA9447-0EK35](https://www.automation.siemens.com/bilddb/cax_en.aspx?mlfb=3VA9447-0EK35)
- CAx-Online-Generator  
<https://www.siemens.com/cax>



last modified:

4/3/2025

