

synchronizable stored energy operator (SEO) 110-230 V AC/110-250 V DC incl. communications module accessory for: 3VA63/64



Model	
product brand name	SETRON
product designation	SEO motor operator
accessories	Motorized operating mechanism with stored energy mechanism (SEO)
General technical data	
make time / typical	0.08 s
break time / typical	5 s
Voltage	
type of voltage / of the operating voltage / for actuation	AC/DC
Rated control supply voltage U_s at AC 50 Hz	
• minimum	110 V
• maximum	240 V
• Rated control supply voltage U_s at AC 60 Hz / minimum	110 V
• Rated control supply voltage U_s at AC 60 Hz / maximum	240 V
Rated control supply voltage U_s with DC	
• minimum	110 V
• maximal	250 V
operating apparent power	300 VA
Mechanical Design	
height	127.4 mm
width	137.6 mm
depth	159 mm
Net Weight	2.208 kg
connectable conductor cross-section / solid	
• minimum	1.5 mm ²
• maximum	2.5 mm ²
connectable conductor cross-section / finely stranded / with core end processing	
• minimum	1.5 mm ²
• maximum	2.5 mm ²
connectable conductor cross-section / stranded	
• minimum	1.5 mm ²
• maximum	2.5 mm ²
tightening torque	
• minimum	0.36 N·m
• maximum	0.44 N·m
Connections according IEC	
stripped length	7 mm

Connetctions according UL

ambient temperature / during operation	
• minimum	-25 °C
• maximum	70 °C
ambient temperature / during storage	
• minimum	-40 °C
• maximum	80 °C

Certificates

General Product Approval	EMV
--------------------------	-----



EG-Konf.



[Confirmation](#)

[Miscellaneous](#)



RCM

Test Certificates	Maritime application	other	Dangerous goods	Environment
-------------------	----------------------	-------	-----------------	-------------

[Type Test Certificates/Test Report](#)



LRS

[Confirmation](#)

[Miscellaneous](#)

[Transport Information](#)

[Environmental Confirmations](#)

Environment

[Environmental Confirmations](#)

Further information

Information on the packaging

<https://support.industry.siemens.com/cs/ww/en/view/109813875>

Information for data generation and storage

<https://support.industry.siemens.com/cs/ww/en/view/109995012>

Information- and Downloadcenter (Catalogs, Brochures,...)

<https://www.siemens.com/lowvoltage/catalogs>

Industry Mall (Online ordering system)

<https://mall.industry.siemens.com/mall/en/en/Catalog/product?mlfb=3VA9447-0HC35>

Service&Support (Manuals, Certificates, Characteristics, FAQs,...)

<https://support.industry.siemens.com/cs/ww/en/ps/3VA9447-0HC35>

Image database (product images, 2D dimension drawings, 3D models, device circuit diagrams, ...)

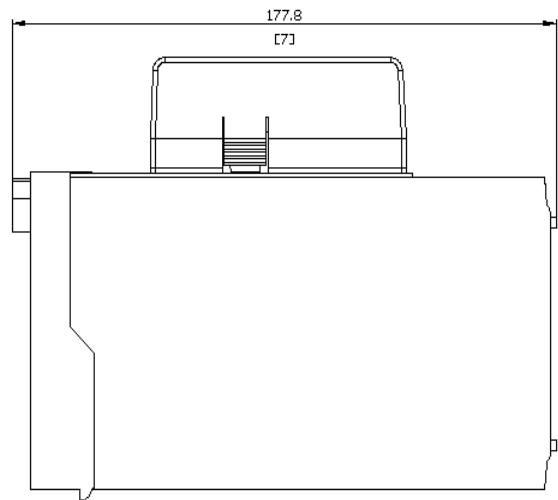
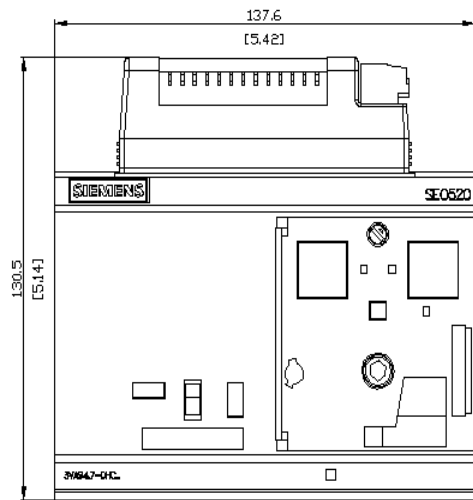
https://www.automation.siemens.com/bilddb/cax_en.aspx?mlfb=3VA9447-0HC35

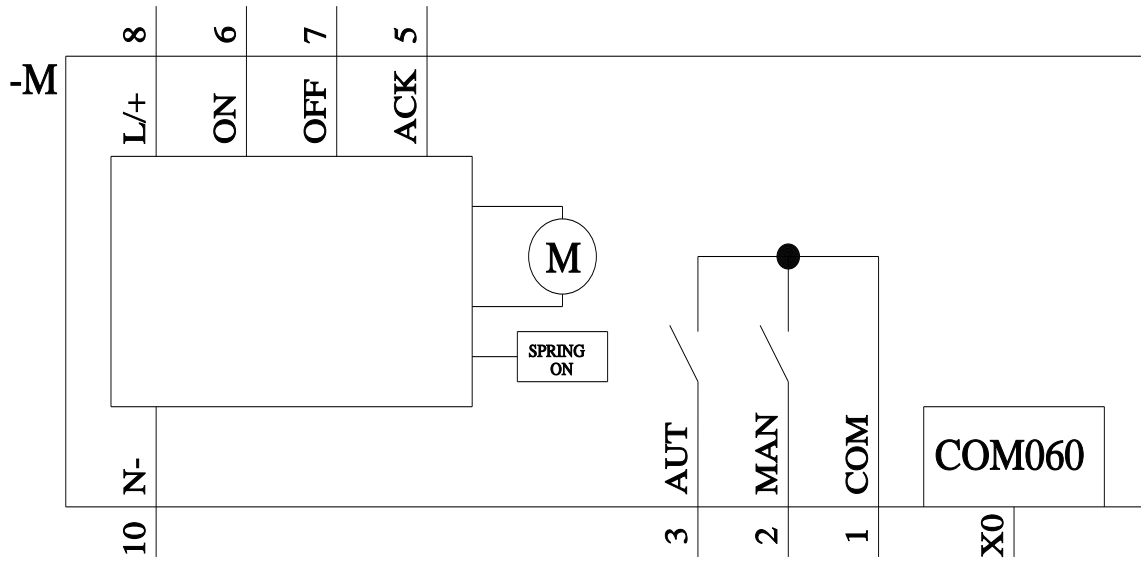
CAX-Online-Generator

<https://www.siemens.com/cax>

Tender specifications

<https://www.siemens.com/specifications>





last modified:

4/3/2025 

