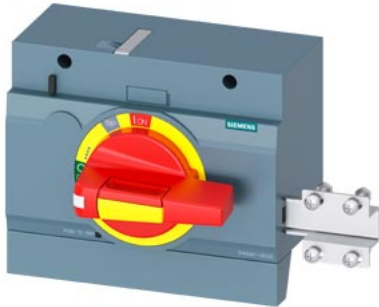


front mounted rotary operator EMERGENCY OFF with door interlock IEC IP30/40  
accessory for: 3VA13/14; 3VA23/24



Model	
product brand name	SETRON
product designation	front rotary operating mechanism
accessories	Front rotary operator
General technical data	
protection class IP	IP30
Mechanical Design	
height	94 mm
width	138 mm
depth	108 mm
Net Weight	428 g
Certificates	
General Product Approval	EMV



EG-Konf.




[Confirmation](#)

[Miscellaneous](#)

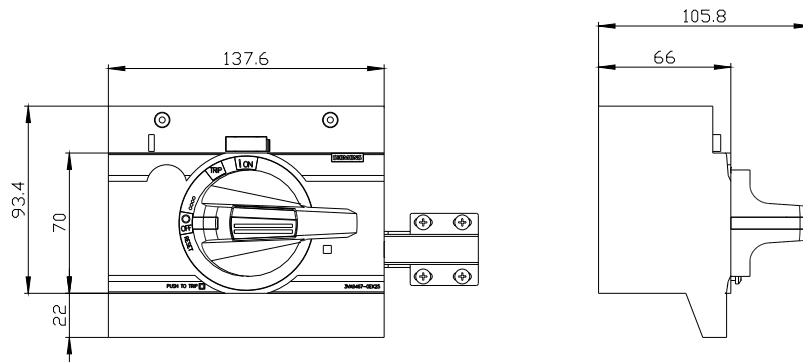


RCM

Maritime application	other	Environment			
	<a href="#">Confirmation</a>	<a href="#">Miscellaneous</a>	<a href="#">Environmental Con- firmations</a>	<a href="#">Environmental Con- firmations</a>	
LRS					

### Further information

- Information on the packaging  
<https://support.industry.siemens.com/cs/ww/en/view/109813875>
- Information for data generation and storage  
<https://support.industry.siemens.com/cs/ww/en/view/109995012>
- Information- and Downloadcenter (Catalogs, Brochures,...)  
<https://www.siemens.com/lowvoltage/catalogs>
- Industry Mall (Online ordering system)  
<https://mall.industry.siemens.com/mall/en/en/Catalog/product?mlfb=3VA9467-0EK25>
- Service&Support (Manuals, Certificates, Characteristics, FAQs,...)  
<https://support.industry.siemens.com/cs/ww/en/ps/3VA9467-0EK25>
- Image database (product images, 2D dimension drawings, 3D models, device circuit diagrams, ...)  
[https://www.automation.siemens.com/bilddb/cax\\_en.aspx?mlfb=3VA9467-0EK25](https://www.automation.siemens.com/bilddb/cax_en.aspx?mlfb=3VA9467-0EK25)
- CAX-Online-Generator  
<https://www.siemens.com/cax>
- Tender specifications



last modified:

5/26/2025 