

insulating plate broadened 3-pole, 1 unit accessory for: 3VA53/54; 3VA63/64



Model	
product brand name	SETRON
product designation	insulating plate broadened
accessories	Insulating plate
Mechanical Design	
Net Weight	120 g
Certificates	
General Product Approval	





[Confirmation](#)



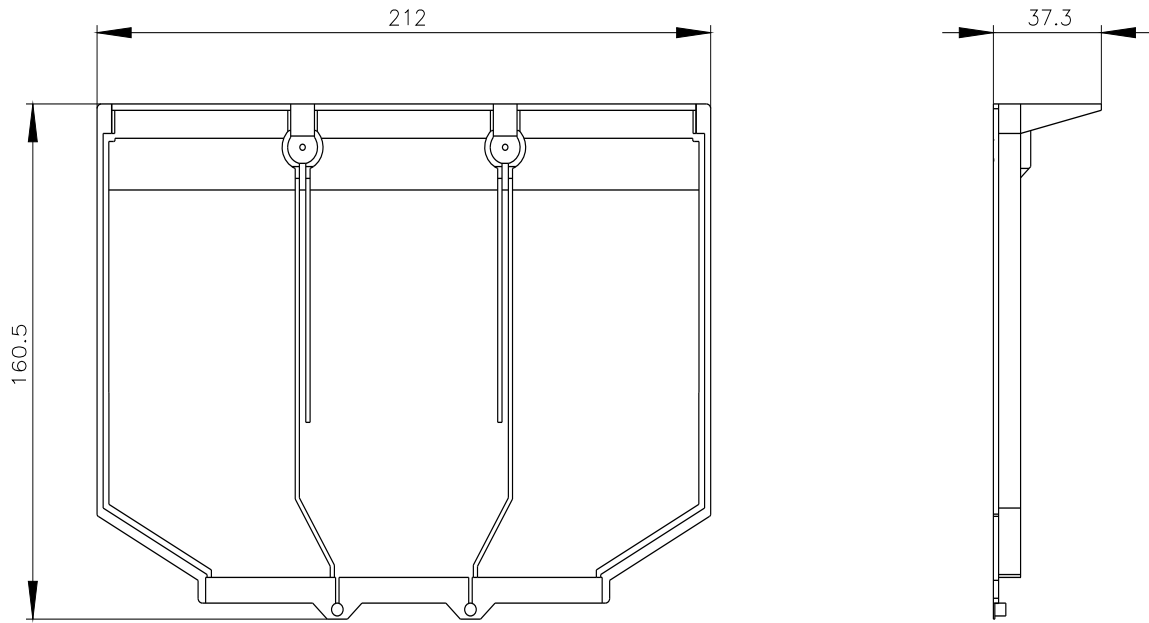
[Miscellaneous](#)



EMV	Test Certificates	Maritime application	other	Environment
	<a href="#">Type Test Certificates/Test Report</a>		<a href="#">Confirmation</a>	<a href="#">Environmental Confirmations</a>

Environment
<a href="#">Environmental Confirmations</a>

Further information
Information on the packaging <a href="https://support.industry.siemens.com/cs/ww/en/view/109813875">https://support.industry.siemens.com/cs/ww/en/view/109813875</a>
Information for data generation and storage <a href="https://support.industry.siemens.com/cs/ww/en/view/109995012">https://support.industry.siemens.com/cs/ww/en/view/109995012</a>
Information- and Downloadcenter (Catalogs, Brochures,...) <a href="https://www.siemens.com/lowvoltage/catalogs">https://www.siemens.com/lowvoltage/catalogs</a>
Industry Mall (Online ordering system) <a href="https://mall.industry.siemens.com/mall/en/en/Catalog/product?mlfb=3VA9471-0WK30">https://mall.industry.siemens.com/mall/en/en/Catalog/product?mlfb=3VA9471-0WK30</a>
Service&Support (Manuals, Certificates, Characteristics, FAQs,...) <a href="https://support.industry.siemens.com/cs/ww/en/ps/3VA9471-0WK30">https://support.industry.siemens.com/cs/ww/en/ps/3VA9471-0WK30</a>
Image database (product images, 2D dimension drawings, 3D models, device circuit diagrams, ...) <a href="https://www.automation.siemens.com/bilddb/cax_en.aspx?mlfb=3VA9471-0WK30">https://www.automation.siemens.com/bilddb/cax_en.aspx?mlfb=3VA9471-0WK30</a>
CAX-Online-Generator



last modified:

4/3/2025 

