

box terminal TS1.5; 4 units 1/0...500 kcmil with aux. conductor voltage tap 4 units
accessory for: 3VA53/54; 3VA63/64



Model	
product brand name	SENTRON
product designation	Box terminal with voltage tap 4 units
accessories	Box terminal
General technical data	
designation / of the terminal	TS1.5
type of electrical connection / with control wire tap	Yes
Mechanical Design	
Net Weight	648 g
Connections according IEC	
connectable conductor cross-section	
<ul style="list-style-type: none"> for copper cable / stranded / minimum 	35 mm ²
<ul style="list-style-type: none"> for copper cable / stranded / maximum 	300 mm ²
type of connectable conductor cross-sections / of the laminated conductor rails	
<ul style="list-style-type: none"> minimum 	2 x 20mm x 1mm, 2 x 24mm x 1mm
<ul style="list-style-type: none"> maximum 	10 x 20mm x 1mm, 10 x 24mm x 1mm
stripped length	26.5 mm
tightening torque / when using copper cables	
<ul style="list-style-type: none"> stranded 	35 - 95 mm ² : 16 Nm; 120 - 300 mm ² : 28 Nm
<ul style="list-style-type: none"> finely stranded 	35 - 95 mm ² : 16 Nm, 120 - 240 mm ² : 28 Nm
<ul style="list-style-type: none"> finely stranded / with core end processing 	35 - 95 mm ² : 16 Nm, 120 - 240 mm ² : 28 Nm
Connections according UL	
permissible temperature / of connectable conductor / according to UL 486A-486B	75 °C
stripped length	1.05 in
connectable conductor cross-section	
<ul style="list-style-type: none"> for copper cable / stranded / minimum 	1/0 AWG
<ul style="list-style-type: none"> for copper cable / stranded / maximum 	500 kcmil
tightening torque / when using copper cables	
<ul style="list-style-type: none"> stranded 	1/0 - 4/0: 140 lb-in; 250 - 500 kcmil: 248 lb-in
Certificates	
General Product Approval	

[Confirmation](#)



[Miscellaneous](#)



EMV	Test Certificates	Maritime application	other	Environment
	Type Test Certificates/Test Report		Confirmation	Environmental Confirmations
RCM		LRS		

Environment

[Environmental Confirmations](#)

Further information

Information on the packaging

<https://support.industry.siemens.com/cs/ww/en/view/109813875>

Information for data generation and storage

<https://support.industry.siemens.com/cs/ww/en/view/109995012>

Information- and Downloadcenter (Catalogs, Brochures,...)

<https://www.siemens.com/lowvoltage/catalogs>

Industry Mall (Online ordering system)

<https://mall.industry.siemens.com/mall/en/en/Catalog/product?mlfb=3VA9474-0JH13>

Service&Support (Manuals, Certificates, Characteristics, FAQs,...)

<https://support.industry.siemens.com/cs/ww/en/ps/3VA9474-0JH13>

Image database (product images, 2D dimension drawings, 3D models, device circuit diagrams, ...)

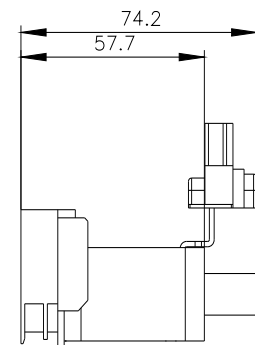
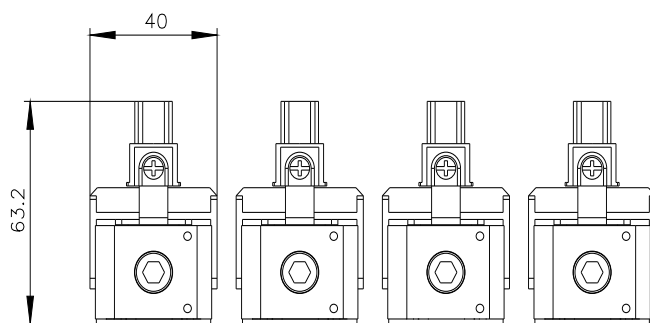
https://www.automation.siemens.com/bilddb/cax_en.aspx?mlfb=3VA9474-0JH13

CAX-Online-Generator

<https://www.siemens.com/cax>

Tender specifications

<https://www.siemens.com/specifications>



last modified:

8/8/2025 

