

insulating plate broadened 4-pole; 1 unit accessory for: 3VA13/14 3VA23/24



Model	
product brand name	SETRON
product designation	insulating plate broadened
accessories	Insulating plate
Mechanical Design	
Net Weight	143 g
Certificates	
General Product Approval	EMV



[Confirmation](#)

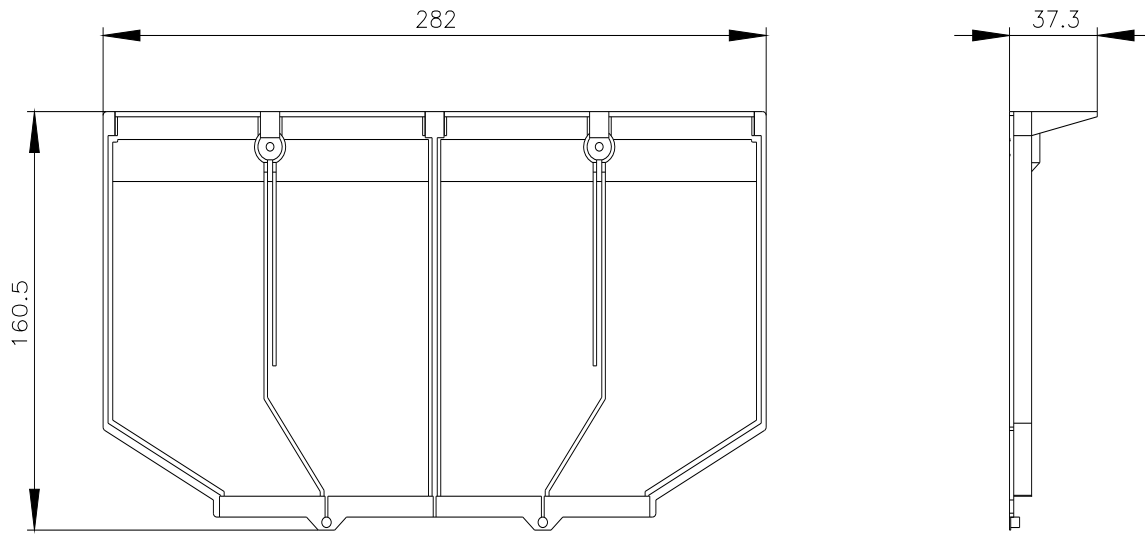
[Miscellaneous](#)



Test Certificates	Maritime application	other	Environment		
Type Test Certificates/Test Report		Confirmation	Miscellaneous	Environmental Confirmations	Environmental Confirmations

Further information

- Information on the packaging <https://support.industry.siemens.com/cs/ww/en/view/109813875>
- Information for data generation and storage <https://support.industry.siemens.com/cs/ww/en/view/109995012>
- Information- and Downloadcenter (Catalogs, Brochures,...) <https://www.siemens.com/lowvoltage/catalogs>
- Industry Mall (Online ordering system) <https://mall.industry.siemens.com/mall/en/en/Catalog/product?mlfb=3VA9481-0WK40>
- Service&Support (Manuals, Certificates, Characteristics, FAQs,...) <https://support.industry.siemens.com/cs/ww/en/ps/3VA9481-0WK40>
- Image database (product images, 2D dimension drawings, 3D models, device circuit diagrams, ...) https://www.automation.siemens.com/bilddb/cax_en.aspx?mlfb=3VA9481-0WK40
- CAX-Online-Generator <https://www.siemens.com/cax>
- Tender specifications <https://www.siemens.com/specifications>



last modified:

4/3/2025 

