

supplementary handle for door mounted rotary operator standard accessory for:
3VA20/21/22

Model	
product brand name	SETRON
product designation	Supplementary handle for door mounted rotary operator
accessories	supplementary handle for door-coupling rotary operating mechanism
General technical data	
protection class IP	IP20
Mechanical Design	
height	70 mm
width	70 mm
depth	36 mm
Net Weight	62 g

Certificates	
General Product Approval	EMV Test Certificates



EG-Konf.



[Miscellaneous](#)



[Type Test Certificates/Test Report](#)

Maritime application	other	Environment
----------------------	-------	-------------



LRS

[Confirmation](#)

[Miscellaneous](#)

[Environmental Confirmations](#)

[Environmental Confirmations](#)

Further information

Information on the packaging

<https://support.industry.siemens.com/cs/ww/en/view/109813875>

Information for data generation and storage

<https://support.industry.siemens.com/cs/ww/en/view/109995012>

Information- and Downloadcenter (Catalogs, Brochures,...)

<https://www.siemens.com/lowvoltage/catalogs>

Industry Mall (Online ordering system)

<https://mall.industry.siemens.com/mall/en/en/Catalog/product?mlfb=3VA9487-0GC01>

Service&Support (Manuals, Certificates, Characteristics, FAQs,...)

<https://support.industry.siemens.com/cs/ww/en/ps/3VA9487-0GC01>

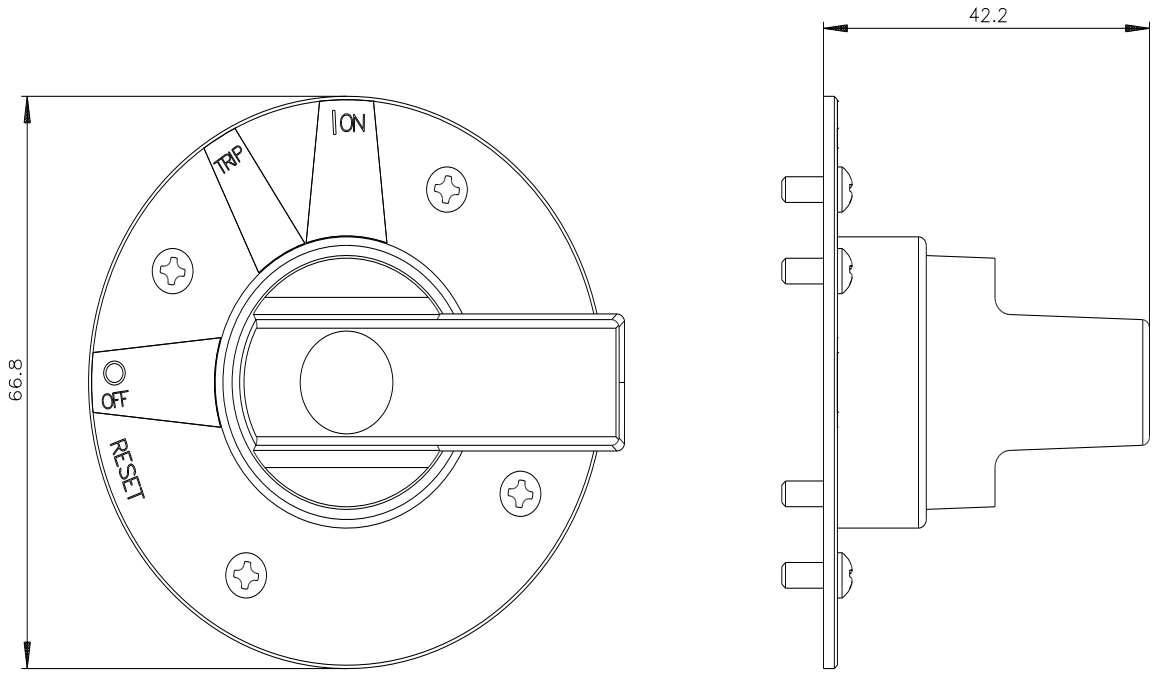
Image database (product images, 2D dimension drawings, 3D models, device circuit diagrams, ...)

https://www.automation.siemens.com/bilddb/cax_en.aspx?mlfb=3VA9487-0GC01

CAX-Online-Generator

<https://www.siemens.com/cax>

Tender specifications



last modified:

4/3/2025 

