

supplementary handle for door mounted rotary operator EMERGENCY STOP accessory for: 3VA20/21/22


Model	
product brand name	SETRON
product designation	Supplementary handle for door mounted rotary operator
accessories	supplementary handle for door-coupling rotary operating mechanism
General technical data	
protection class IP	IP20
Mechanical Design	
height	70 mm
width	70 mm
depth	36 mm
Net Weight	56 g
Certificates	
General Product Approval	EMV



[Confirmation](#)

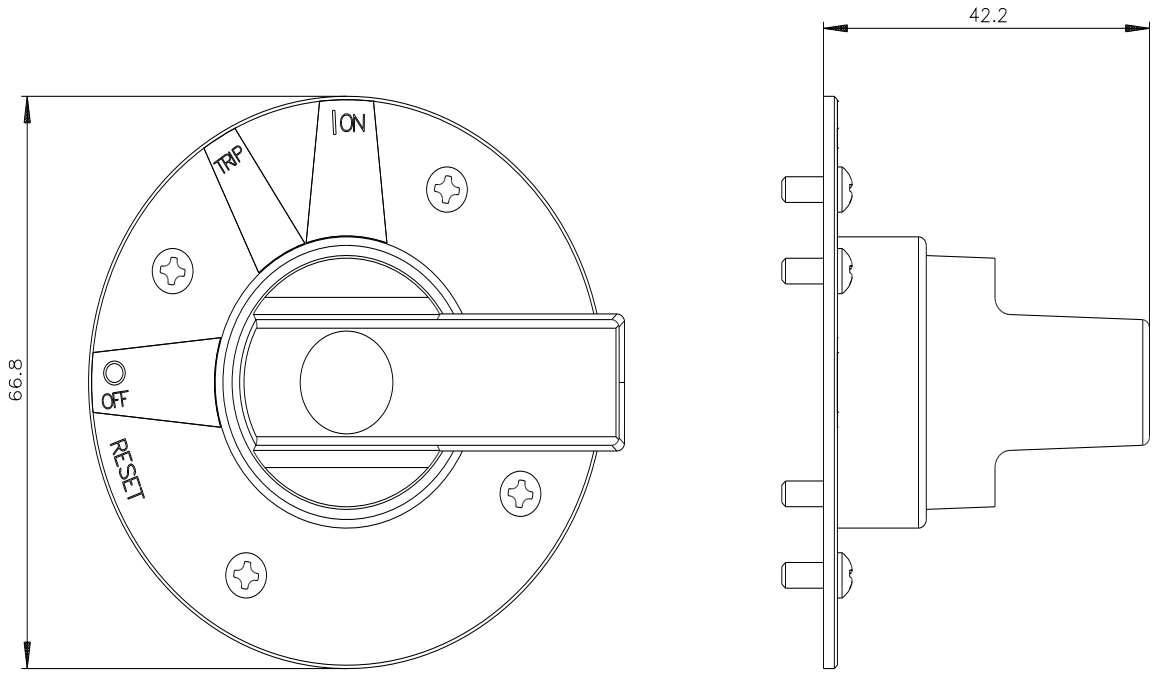
[Miscellaneous](#)



Test Certificates	Maritime application	other	Environment		
Type Test Certificates/Test Report		Confirmation	Miscellaneous	Environmental Confirmations	Environmental Confirmations

Further information

- Information on the packaging
<https://support.industry.siemens.com/cs/ww/en/view/109813875>
- Information for data generation and storage
<https://support.industry.siemens.com/cs/ww/en/view/109995012>
- Information- and Downloadcenter (Catalogs, Brochures,...)
<https://www.siemens.com/lowvoltage/catalogs>
- Industry Mall (Online ordering system)
<https://mall.industry.siemens.com/mall/en/en/Catalog/product?mlfb=3VA9487-0GC05>
- Service&Support (Manuals, Certificates, Characteristics, FAQs,...)
<https://support.industry.siemens.com/cs/ww/en/ps/3VA9487-0GC05>
- Image database (product images, 2D dimension drawings, 3D models, device circuit diagrams, ...)
https://www.automation.siemens.com/bilddb/cax_en.aspx?mlfb=3VA9487-0GC05
- CAX-Online-Generator
<https://www.siemens.com/cax>
- Tender specifications



last modified:

4/3/2025 

