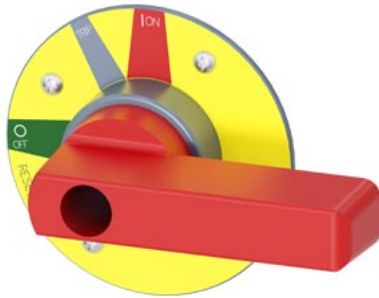


supplementary handle for door mounted rotary operator EMERGENCY STOP
accessory for: 3VA13/14; 3VA23/24



Model	
product brand name	SENTRON
product designation	Supplementary handle for door mounted rotary operator
accessories	supplementary handle for door-coupling rotary operating mechanism
General technical data	
protection class IP	IP20
Mechanical Design	
height	70 mm
width	70 mm
depth	36 mm
Net Weight	61 g

Certificates	
General Product Approval	EMV Test Certificates



[Miscellaneous](#)



[Type Test Certificates/Test Report](#)

Maritime application	other	Environment
----------------------	-------	-------------



[Confirmation](#)

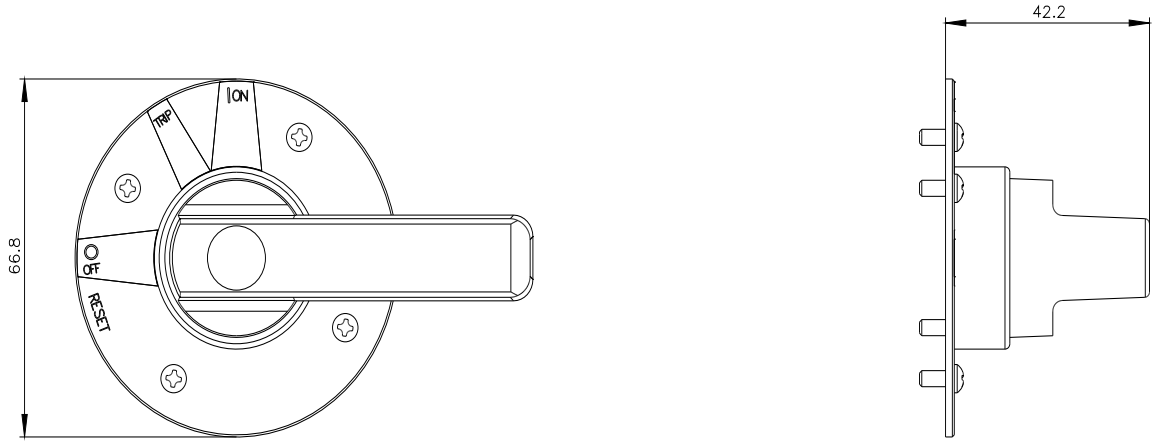
[Miscellaneous](#)

[Environmental Confirmations](#)

[Environmental Confirmations](#)

Further information

- Information on the packaging
<https://support.industry.siemens.com/cs/ww/en/view/109813875>
- Information for data generation and storage
<https://support.industry.siemens.com/cs/ww/en/view/109995012>
- Information- and Downloadcenter (Catalogs, Brochures,...)
<https://www.siemens.com/lowvoltage/catalogs>
- Industry Mall (Online ordering system)
<https://mall.industry.siemens.com/mall/en/en/Catalog/product?mlfb=3VA9487-0GC15>
- Service&Support (Manuals, Certificates, Characteristics, FAQs,...)
<https://support.industry.siemens.com/cs/ww/en/ps/3VA9487-0GC15>
- Image database (product images, 2D dimension drawings, 3D models, device circuit diagrams, ...)
https://www.automation.siemens.com/bilddb/cax_en.aspx?mlfb=3VA9487-0GC15
- CAX-Online-Generator
<https://www.siemens.com/cax>
- Tender specifications



last modified:

4/3/2025 

