

cylinder lock adapter accessories compartment accessory for: 3VA15;




Model		
product brand name	SETRON	
product designation	cylinder lock adapter	
accessories	cylinder lock adapter	
General technical data		
Net Weight	159 g	
Certificates		
General Product Approval	EMV	Test Certificates



[Miscellaneous](#)

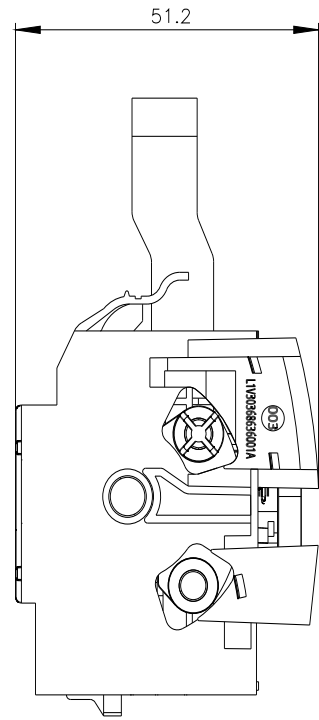
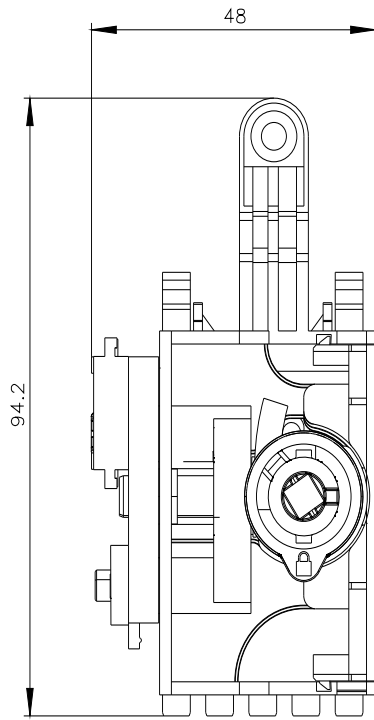


[Type Test Certificates/Test Report](#)

Maritime application	other	Environment		
 LRS	<a href="#">Confirmation</a>	<a href="#">Miscellaneous</a>	<a href="#">Environmental Confirmations</a>	<a href="#">Environmental Confirmations</a>

### Further information

- Information on the packaging  
<https://support.industry.siemens.com/cs/ww/en/view/109813875>
- Information for data generation and storage  
<https://support.industry.siemens.com/cs/ww/en/view/109995012>
- Information- and Downloadcenter (Catalogs, Brochures,...)  
<https://www.siemens.com/lowvoltage/catalogs>
- Industry Mall (Online ordering system)  
<https://mall.industry.siemens.com/mall/en/en/Catalog/product?mlfb=3VA9587-0LF10>
- Service&Support (Manuals, Certificates, Characteristics, FAQs,...)  
<https://support.industry.siemens.com/cs/ww/en/ps/3VA9587-0LF10>
- Image database (product images, 2D dimension drawings, 3D models, device circuit diagrams, ...)  
[https://www.automation.siemens.com/bilddb/cax\\_en.aspx?mlfb=3VA9587-0LF10](https://www.automation.siemens.com/bilddb/cax_en.aspx?mlfb=3VA9587-0LF10)
- CAX-Online-Generator  
<https://www.siemens.com/cax>
- Tender specifications  
<https://www.siemens.com/specifications>



last modified:

4/3/2025 

