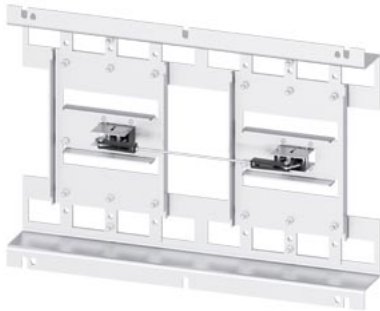


rear interlock with rod accessory for: 3VA15;



Model	
product brand name	SENTRON
product designation	rear interlock
accessories	rear interlock
General technical data	
Net Weight	8.179 kg
Certificates	
General Product Approval	EMV

[Confirmation](#)



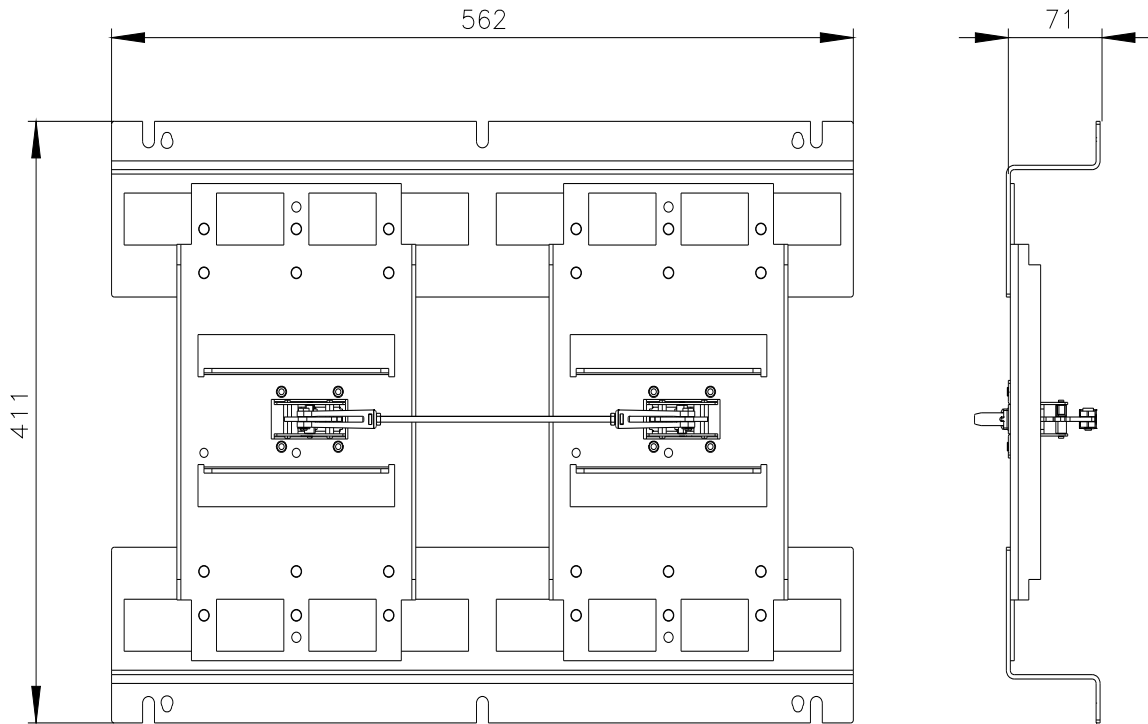
[Miscellaneous](#)



Test Certificates	Maritime application	other	Environment		
Type Test Certificates/Test Report		Confirmation	Miscellaneous		Environmental Confirmations

Environment
Environmental Confirmations

Further information
<p>Information on the packaging https://support.industry.siemens.com/cs/ww/en/view/109813875</p> <p>Information for data generation and storage https://support.industry.siemens.com/cs/ww/en/view/109995012</p> <p>Information- and Downloadcenter (Catalogs, Brochures,...) https://www.siemens.com/lowvoltage/catalogs</p> <p>Industry Mall (Online ordering system) https://mall.industry.siemens.com/mall/en/en/Catalog/product?mlfb=3VA9588-0VM10</p> <p>Service&Support (Manuals, Certificates, Characteristics, FAQs,...) https://support.industry.siemens.com/cs/ww/en/ps/3VA9588-0VM10</p> <p>Image database (product images, 2D dimension drawings, 3D models, device circuit diagrams, ...) https://www.automation.siemens.com/bilddb/cax_en.aspx?mlfb=3VA9588-0VM10</p> <p>CAX-Online-Generator</p>



last modified:

4/3/2025 

