

terminal cover for plug-in socket accessory for: plug-in unit 3VA9603-0KP00  
3VA15/25



Model	
product brand name	SENTRON
product designation	Terminal cover plug-in socket
accessories	Terminal cover

Mechanical Design	
Net Weight	261 g

Certificates		
General Product Approval	EMV	Test Certificates



[Miscellaneous](#)



[Type Test Certificates/Test Report](#)

Maritime application	other	Environment			
----------------------	-------	-------------	--	--	--



[Confirmation](#)

[Miscellaneous](#)

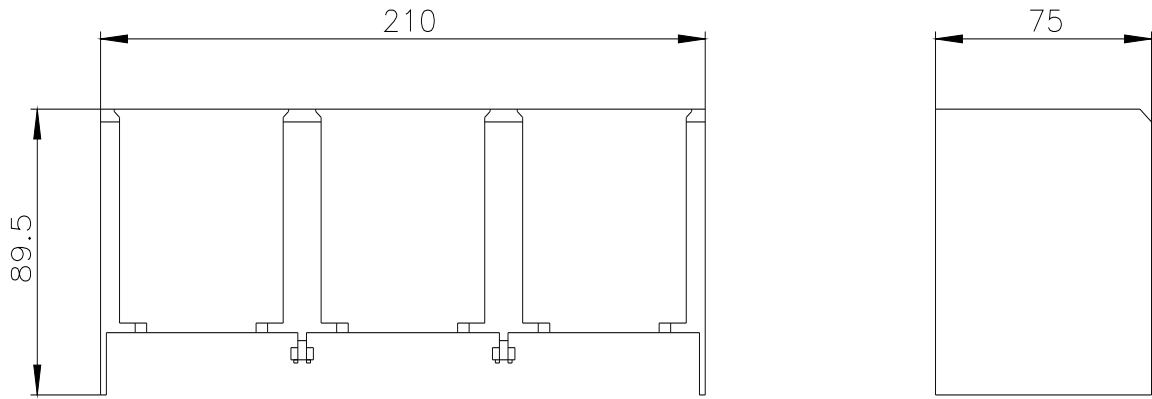


[Environmental Confirmations](#)

[Environmental Confirmations](#)

### Further information

- Information on the packaging  
<https://support.industry.siemens.com/cs/ww/en/view/109813875>
- Information for data generation and storage  
<https://support.industry.siemens.com/cs/ww/en/view/109995012>
- Information- and Downloadcenter (Catalogs, Brochures,...)  
<https://www.siemens.com/lowvoltage/catalogs>
- Industry Mall (Online ordering system)  
<https://mall.industry.siemens.com/mall/en/en/Catalog/product?mlfb=3VA9603-0KB03>
- Service&Support (Manuals, Certificates, Characteristics, FAQs,...)  
<https://support.industry.siemens.com/cs/ww/en/ps/3VA9603-0KB03>
- Image database (product images, 2D dimension drawings, 3D models, device circuit diagrams, ...)  
[https://www.automation.siemens.com/bilddb/cax\\_en.aspx?mlfb=3VA9603-0KB03](https://www.automation.siemens.com/bilddb/cax_en.aspx?mlfb=3VA9603-0KB03)
- CAx-Online-Generator  
<https://www.siemens.com/cax>
- Tender specifications  
<https://www.siemens.com/specifications>



---

last modified:

5/26/2025 

