






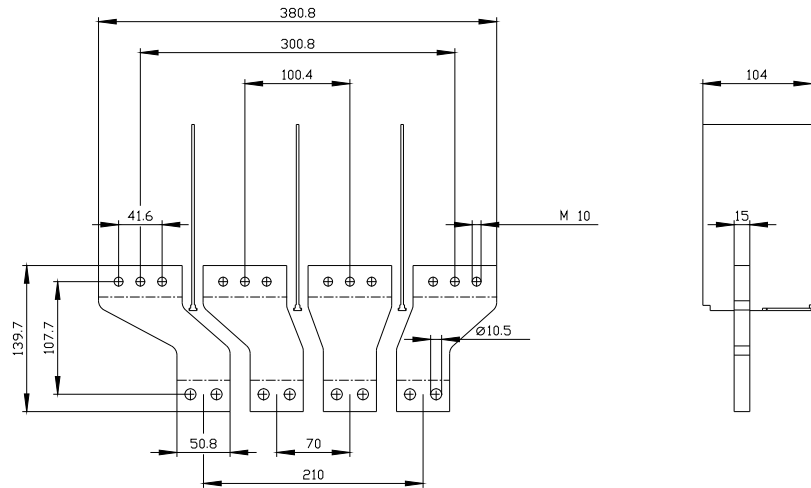
bus connectors broadened front mounted; 4 units accessory for: 3VA15; 3VA25/26



Model		
product brand name	SETRON	
product designation	bus connectors offset	
accessories	Bus connector offset	
Mechanical Design		
Net Weight	5.123 kg	
Connections according IEC		
thickness / of the busbar / maximum	30 mm	
width / of the busbar / maximum	80 mm	
Connections according UL		
width / of the busbar / maximum	3.15 in	
thickness / of the busbar / maximum	1.18 in	
Certificates		
General Product Approval	EMV	Test Certificates
 <small>EG-Konf.</small>		Miscellaneous
		
		Type Test Certificates/Test Report
Maritime application		Environment
 <small>LRS</small>	Confirmation	Miscellaneous
		Environmental Confirmations
		Environmental Confirmations
Further information		
Information on the packaging https://support.industry.siemens.com/cs/ww/en/view/109813875		
Information for data generation and storage https://support.industry.siemens.com/cs/ww/en/view/109995012		
Information- and Downloadcenter (Catalogs, Brochures,...) https://www.siemens.com/lowvoltage/catalogs		
Industry Mall (Online ordering system) https://mall.industry.siemens.com/mall/en/en/Catalog/product?mlfb=3VA9604-0QC00		
Service&Support (Manuals, Certificates, Characteristics, FAQs,...) https://support.industry.siemens.com/cs/ww/en/ps/3VA9604-0QC00		
Image database (product images, 2D dimension drawings, 3D models, device circuit diagrams, ...) https://www.automation.siemens.com/bilddb/cax_en.aspx?mlfb=3VA9604-0QC00		
CAX-Online-Generator https://www.siemens.com/cax		

Tender specifications

<https://www.siemens.com/specifications>



last modified:

5/26/2025 

