

rear connection stud flat horizontal connection 4 units accessory for: 3VA25



Model	
product brand name	SETRON
product designation	rear connection stud flat, horizontal
accessories	rear connection stud flat, horizontal
Mechanical Design	
Net Weight	7.74 kg
Connections according IEC	
thickness / of the busbar / minimum	5 mm
thickness / of the busbar / maximum	15 mm
width / of the busbar / maximum	90 mm
Connections according UL	
width / of the busbar / maximum	3.5 in
thickness / of the busbar / minimum	0.2 in
thickness / of the busbar / maximum	0.5 in
Certificates	
General Product Approval	EMV



[Confirmation](#)

[Miscellaneous](#)



Test Certificates	Maritime application	other	Environment
-------------------	----------------------	-------	-------------

[Type Test Certificates/Test Report](#)



[Confirmation](#)

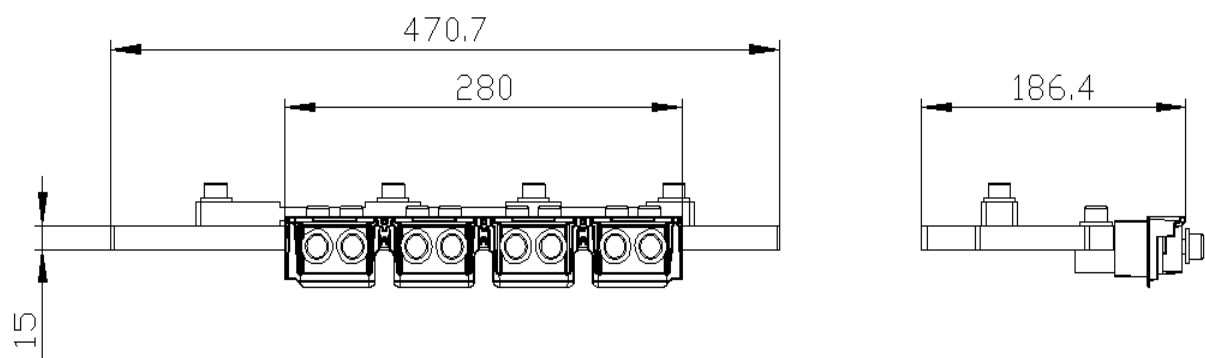
[Miscellaneous](#)

[Environmental Confirmations](#)

[Environmental Confirmations](#)

Further information

- Information on the packaging
<https://support.industry.siemens.com/cs/ww/en/view/109813875>
- Information for data generation and storage
<https://support.industry.siemens.com/cs/ww/en/view/109995012>
- Information- and Downloadcenter (Catalogs, Brochures,...)
<https://www.siemens.com/lowvoltage/catalogs>
- Industry Mall (Online ordering system)
<https://mall.industry.siemens.com/mall/en/en/Catalog/product?mlfb=3VA9604-0QE60>
- Service&Support (Manuals, Certificates, Characteristics, FAQs,...)
<https://support.industry.siemens.com/cs/ww/en/ps/3VA9604-0QE60>
- Image database (product images, 2D dimension drawings, 3D models, device circuit diagrams, ...)



last modified:

4/3/2025 

