

operator kit with Bowden cable Max-Flex operator switching mechanism single accessory for: 3VA55; 3VA65/66 only for the UL market only for UL applications not approved for IEC

Model	
product brand name	SETRON
product designation	Operating unit Max-Flex, switching mechanism
accessories	switching mechanism, single
Mechanical Design	
Net Weight	1.72 kg
Certificates	
General Product Approval	EMV



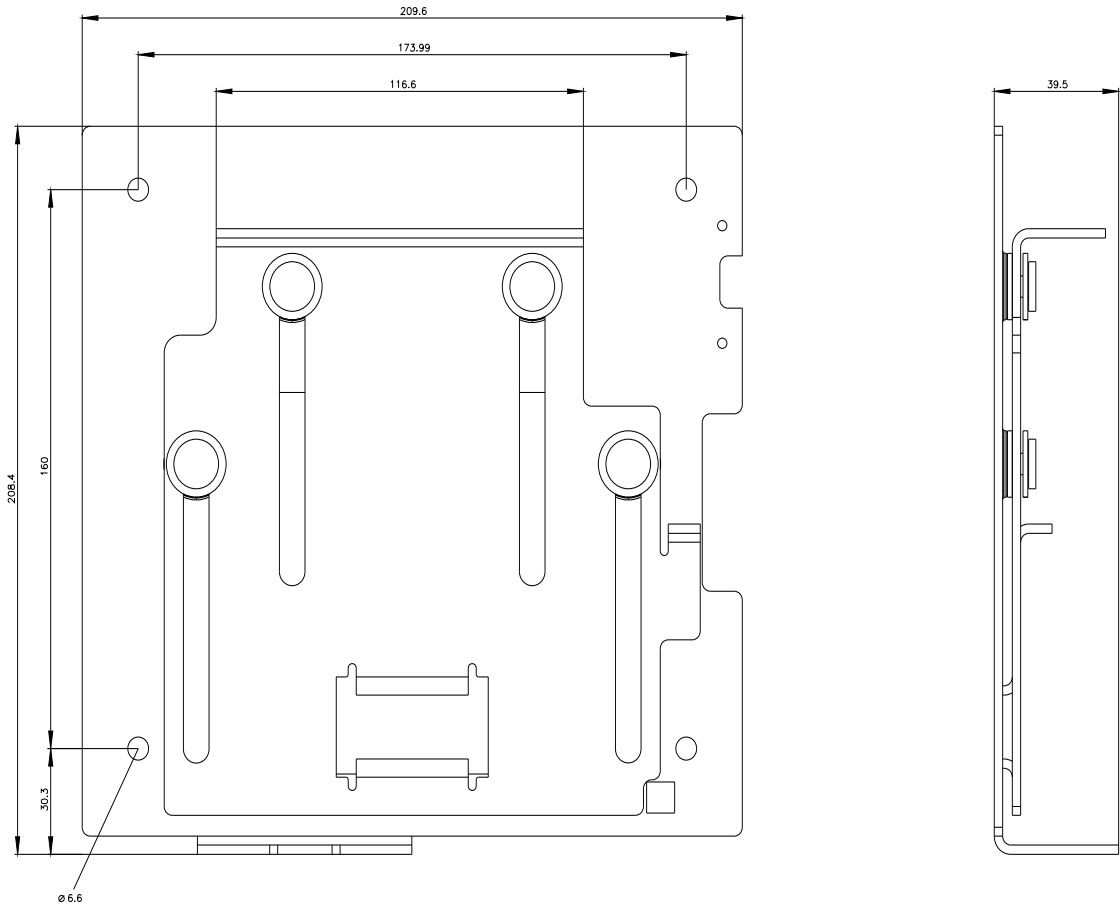
[Miscellaneous](#)



Maritime application	other	Environment		
	<a href="#">Confirmation</a>	<a href="#">Miscellaneous</a>	<a href="#">Environmental Confirmations</a>	<a href="#">Environmental Confirmations</a>

**Further information**

- Information on the packaging <https://support.industry.siemens.com/cs/ww/en/view/109813875>
- Information for data generation and storage <https://support.industry.siemens.com/cs/ww/en/view/109995012>
- Information- and Downloadcenter (Catalogs, Brochures,...) <https://www.siemens.com/lowvoltage/catalogs>
- Industry Mall (Online ordering system) <https://mall.industry.siemens.com/mall/en/en/Catalog/product?mlfb=3VA9677-0CB10>
- Service&Support (Manuals, Certificates, Characteristics, FAQs,...) <https://support.industry.siemens.com/cs/ww/en/ps/3VA9677-0CB10>
- Image database (product images, 2D dimension drawings, 3D models, device circuit diagrams, ...) [https://www.automation.siemens.com/bilddb/cax\\_en.aspx?mlfb=3VA9677-0CB10](https://www.automation.siemens.com/bilddb/cax_en.aspx?mlfb=3VA9677-0CB10)
- CAX-Online-Generator <https://www.siemens.com/cax>
- Tender specifications <https://www.siemens.com/specifications>



last modified:

5/26/2025 

