



front mounted rotary operator EMERGENCY OFF with door interlock IEC IP30/40 accessory for: 3VA55; 3VA65/66

Model	
product brand name	SETRON
product designation	front rotary operating mechanism
accessories	Front rotary operator
General technical data	
degree of protection NEMA rating	1
protection class IP	IP30
Mechanical Design	
Net Weight	2.71 kg
Certificates	
General Product Approval	





[Confirmation](#)



[Miscellaneous](#)



EMV	Test Certificates	Maritime application	other	Environment
	Type Test Certificates/Test Report		Confirmation	Environmental Confirmations

Environment

[Environmental Confirmations](#)

Further information

- Information on the packaging <https://support.industry.siemens.com/cs/ww/en/view/109813875>
- Information for data generation and storage <https://support.industry.siemens.com/cs/ww/en/view/109995012>
- Information- and Downloadcenter (Catalogs, Brochures,...) <https://www.siemens.com/lowvoltage/catalogs>
- Industry Mall (Online ordering system) <https://mall.industry.siemens.com/mall/en/en/Catalog/product?mlfb=3VA9677-0EK25>
- Service&Support (Manuals, Certificates, Characteristics, FAQs,...)

<https://support.industry.siemens.com/cs/ww/en/ps/3VA9677-0EK25>

Image database (product images, 2D dimension drawings, 3D models, device circuit diagrams, ...)

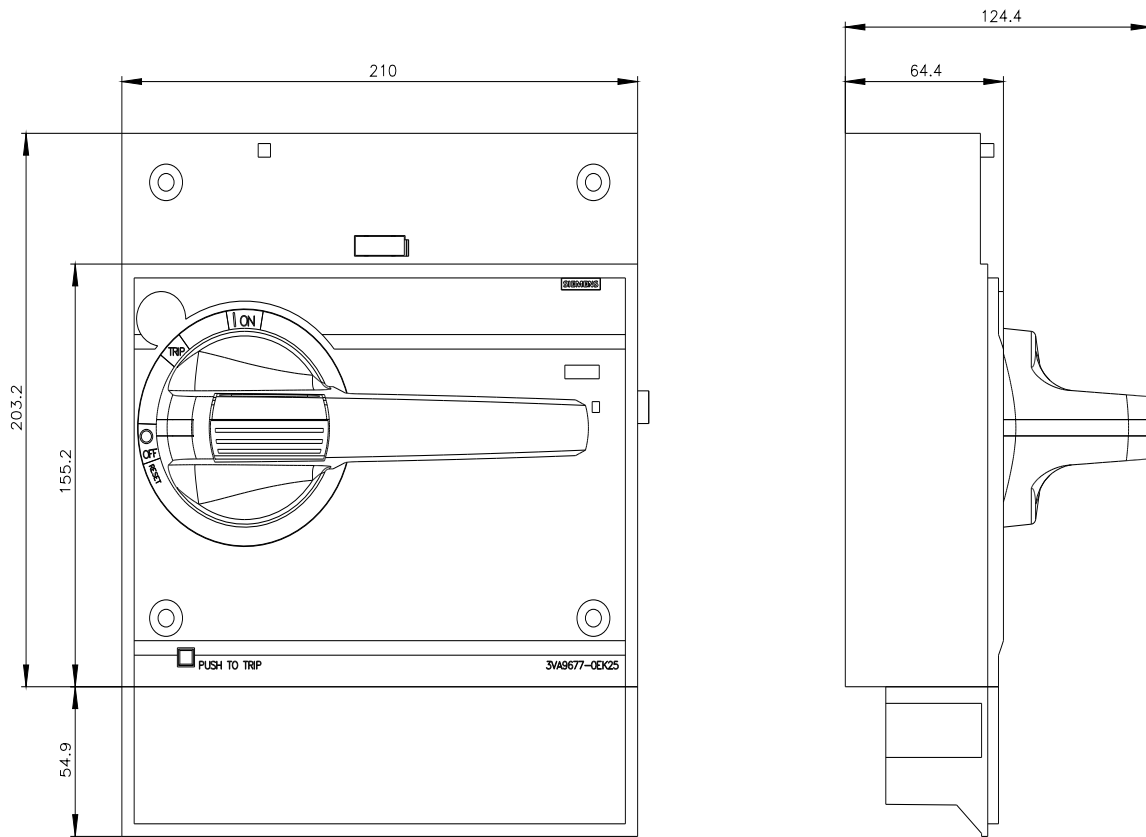
https://www.automation.siemens.com/bilddb/cax_en.aspx?mlfb=3VA9677-0EK25

CAX-Online-Generator

<https://www.siemens.com/cax>

Tender specifications

<https://www.siemens.com/specifications>



last modified:

4/3/2025

