

door mounted rotary operator EMERGENCY OFF IEC IP65 with door interlock and 24 V DC lighting kit accessory for: 3VA55; 3VA65/66



Model	
product brand name	SENTRON
product designation	door-coupling rotary operating mechanism
accessories	Door-coupling rotary operating mechanisms
General technical data	
degree of protection NEMA rating	1, 3R, 12, 4, 4X
protection class IP	IP65
Mechanical Design	
Net Weight	3.89 kg
Certificates	
General Product Approval	





[Confirmation](#)



[Miscellaneous](#)



EMV	Test Certificates	Maritime application	other	Environment
	Type Test Certificates/Test Report		Confirmation	Environmental Confirmations

Environment

[Environmental Confirmations](#)

Further information

- Information on the packaging <https://support.industry.siemens.com/cs/ww/en/view/109813875>
- Information for data generation and storage <https://support.industry.siemens.com/cs/ww/en/view/109995012>
- Information- and Downloadcenter (Catalogs, Brochures,...) <https://www.siemens.com/lowvoltage/catalogs>
- Industry Mall (Online ordering system) <https://mall.industry.siemens.com/mall/en/en/Catalog/product?mlfb=3VA9677-0FK27>
- Service&Support (Manuals, Certificates, Characteristics, FAQs,...)

<https://support.industry.siemens.com/cs/ww/en/ps/3VA9677-0FK27>

Image database (product images, 2D dimension drawings, 3D models, device circuit diagrams, ...)

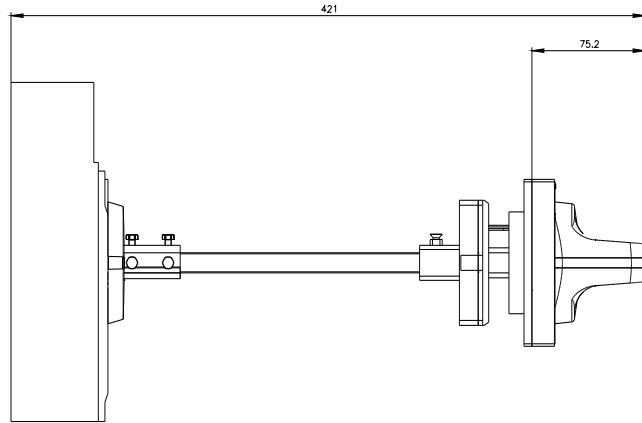
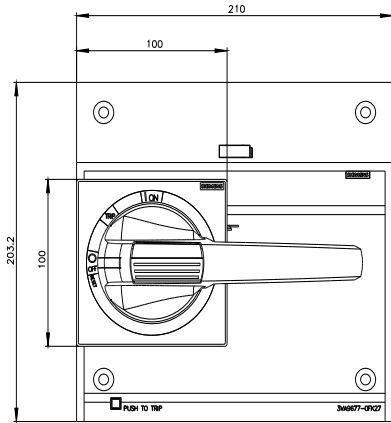
https://www.automation.siemens.com/bilddb/cax_en.aspx?mlfb=3VA9677-0FK27

CAX-Online-Generator

<https://www.siemens.com/cax>

Tender specifications

<https://www.siemens.com/specifications>





last modified:

4/3/2025 