

door mounted rotary operator EMERGENCY OFF NEMA types 1, 3R, 12, 4/4X with door interlock, 24 V DC lighting kit and door opening function accessory for: 3VA55; 3VA65/66



Model	
product brand name	SETRON
product designation	door-coupling rotary operating mechanism
accessories	Door-coupling rotary operating mechanisms
General technical data	
degree of protection NEMA rating	1, 3R, 12, 4, 4X
protection class IP	IP65
Mechanical Design	
Net Weight	3.87 kg
Certificates	
General Product Approval	



EG-Konf.



[Confirmation](#)



UL

[Miscellaneous](#)



EMV	Test Certificates	Maritime application	other	Environment
-----	-------------------	----------------------	-------	-------------



RCM

[Type Test Certificates/Test Report](#)



LRS

[Confirmation](#)

[Miscellaneous](#)

[Environmental Confirmations](#)

### Environment

[Environmental Confirmations](#)

### Further information

- Information on the packaging <https://support.industry.siemens.com/cs/ww/en/view/109813875>
- Information for data generation and storage <https://support.industry.siemens.com/cs/ww/en/view/109995012>
- Information- and Downloadcenter (Catalogs, Brochures,...) <https://www.siemens.com/lowvoltage/catalogs>
- Industry Mall (Online ordering system) <https://mall.industry.siemens.com/mall/en/en/Catalog/product?mlfb=3VA9677-0FK37>
- Service&Support (Manuals, Certificates, Characteristics, FAQs,...)

<https://support.industry.siemens.com/cs/ww/en/ps/3VA9677-0FK37>

Image database (product images, 2D dimension drawings, 3D models, device circuit diagrams, ...)

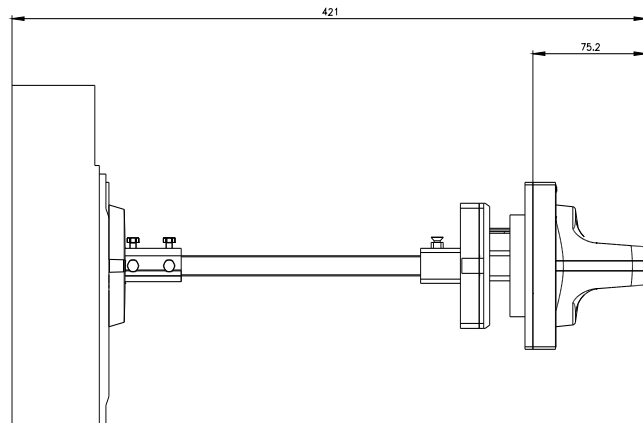
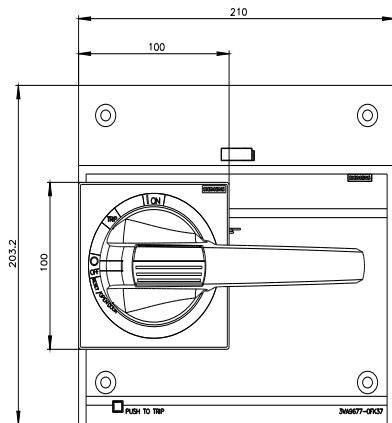
[https://www.automation.siemens.com/bilddb/cax\\_en.aspx?mlfb=3VA9677-0FK37](https://www.automation.siemens.com/bilddb/cax_en.aspx?mlfb=3VA9677-0FK37)

CAX-Online-Generator

<https://www.siemens.com/cax>

Tender specifications

<https://www.siemens.com/specifications>





---

last modified:

4/3/2025 